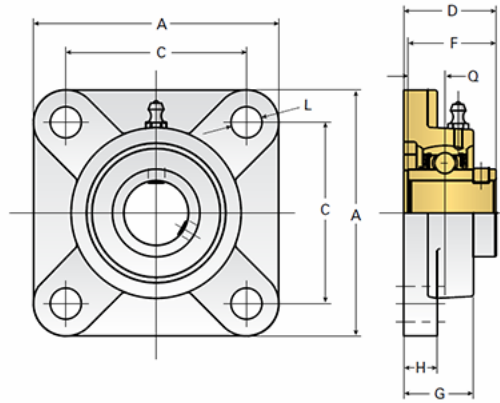


EZCF205-16

Call 800-321-7800 or visit us online at www.nookindustries.com to configure and order your EZCF205-16 today!



| Details | |
|----------------------------------------|-----------|
| Bore Diameter [in] | 1.00 |
| Dimensions | |
| A [mm] | 95 |
| C [mm] | 70 |
| D [mm] | 35.7 |
| F [mm] | 34 |
| G [mm] | 27 |
| H [mm] | 13 |
| L [mm] | 12 |
| Q [mm] | 14.3 |
| Product Compatibility Selection | |
| BSJ | - |
| MSJ | 5-MSJ |
| SS-MSJ | 5SS-MSJ |
| EM-BSJ | - |
| EM-MSJ | - |
| Bevel | - |
| Link Shafting | LJ/LJK-16 |