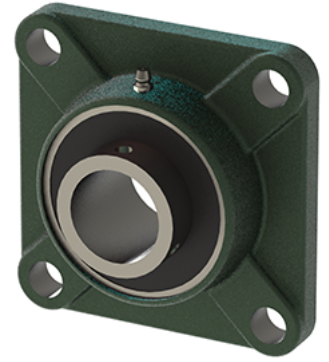
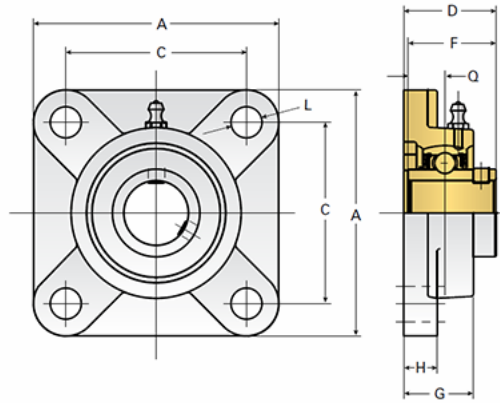


EZCF201-8

Call 800-321-7800 or visit us online at www.nookindustries.com to configure and order your EZCF201-8 today!



Details	
Bore Diameter [in]	0.50
Dimensions	
A [mm]	86
C [mm]	64
D [mm]	33.3
F [mm]	31
G [mm]	25.4
H [mm]	11
L [mm]	12
Q [mm]	12.7
Product Compatibility Selection	
BSJ	-
MSJ	-
SS-MSJ	-
EM-BSJ	-
EM-MSJ	-
Bevel	-
Link Shafting	LJ/LJK-8