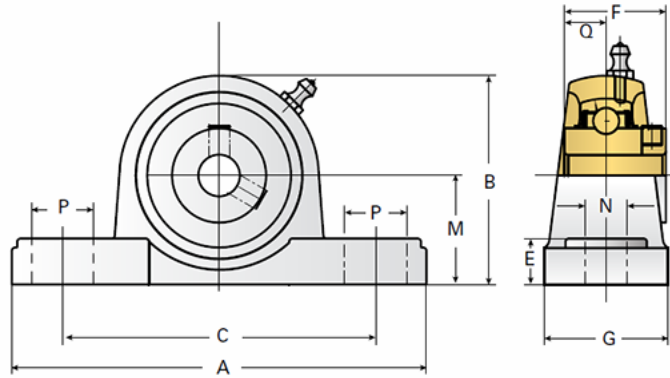


EZCP210

Call 800-321-7800 or visit us online at www.nookindustries.com to configure and order your EZCP210 today!



Details

Bore Diameter [mm]	50
--------------------	----

Dimensions

A [mm]	206
B [mm]	114
C [mm]	159
E [mm]	22
F [mm]	51.6
G [mm]	60
M [mm]	57.2
N [mm]	20
P [mm]	25
Q [mm]	19

Product Compatibility Selection

BSJ	-
MSJ	-
SS-MSJ	-
EM-BSJ	-
EM-MSJ	-
Bevel	-
Link Shafting	LJT-50