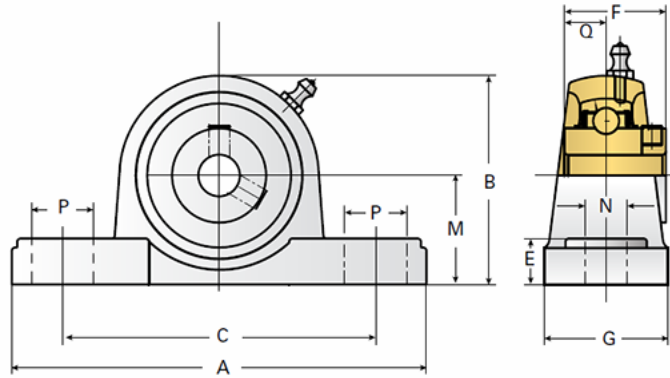


## EZCP209

Call 800-321-7800 or visit us online at [www.nookindustries.com](http://www.nookindustries.com) to configure and order your EZCP209 today!



Details	
Bore Diameter [mm]	45
Dimensions	
A [mm]	54
B [mm]	108
C [mm]	146
E [mm]	20
F [mm]	49.2
G [mm]	54
M [mm]	54
N [mm]	17
P [mm]	21
Q [mm]	19
Product Compatibility Selection	
BSJ	20/20HL-BSJ
MSJ	-
SS-MSJ	-
EM-BSJ	EM-20-BSJ
EM-MSJ	EM20-MSJ
Bevel	G3
Link Shafting	-