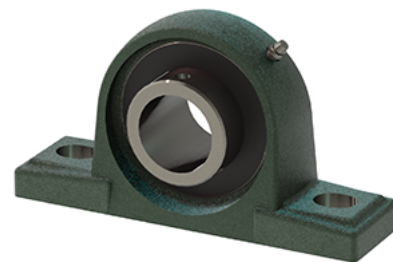
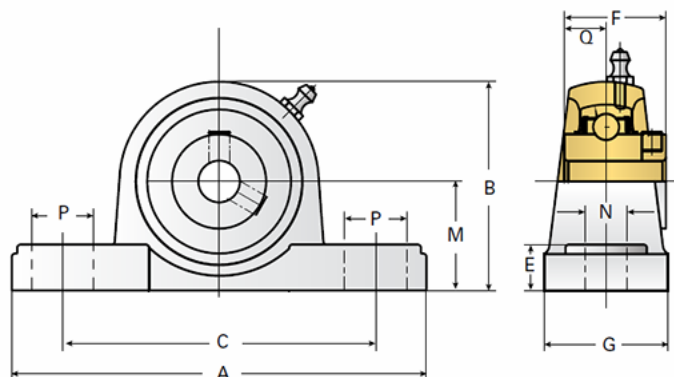


EZCP205

Call 800-321-7800 or visit us online at www.nookindustries.com to configure and order your EZCP205 today!



Details	
Bore Diameter [mm]	25
Dimensions	
A [mm]	140
B [mm]	70
C [mm]	105
E [mm]	16
F [mm]	34
G [mm]	38
M [mm]	36.6
N [mm]	13
P [mm]	19
Q [mm]	14.3
Product Compatibility Selection	
BSJ	5/5HL/10/10HL-BSJ
MSJ	-
SS-MSJ	-
EM-BSJ	EM5-BSJ
EM-MSJ	EM5-MSJ
Bevel	G2
Link Shafting	-