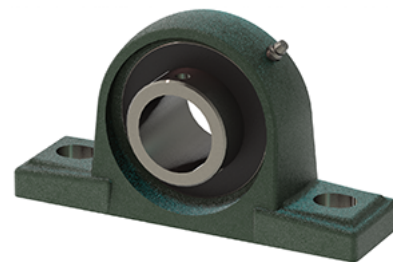
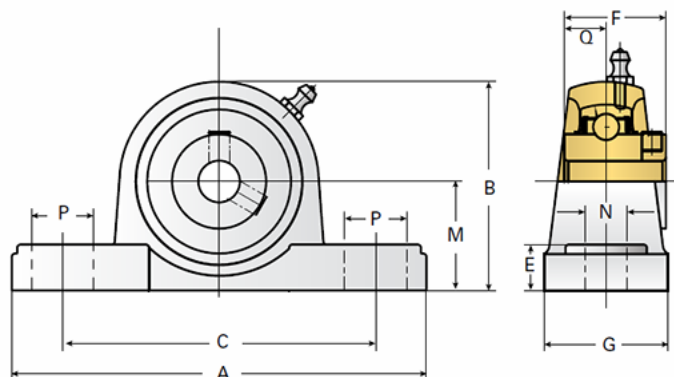


## EZCP204

Call 800-321-7800 or visit us online at [www.nookindustries.com](http://www.nookindustries.com) to configure and order your EZCP204 today!



<b>Details</b>	
Bore Diameter [mm]	20
<b>Dimensions</b>	
A [mm]	127
B [mm]	65
C [mm]	95
E [mm]	15
F [mm]	31
G [mm]	38
M [mm]	33.3
N [mm]	13
P [mm]	19
Q [mm]	12.7
<b>Product Compatibility Selection</b>	
BSJ	2.5/2.5HL-BSJ
MSJ	-
SS-MSJ	-
EM-BSJ	EM2.5-BSJ
EM-MSJ	-
Bevel	G1
Link Shafting	-