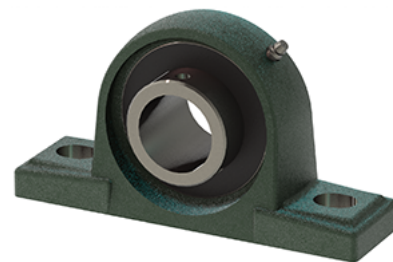
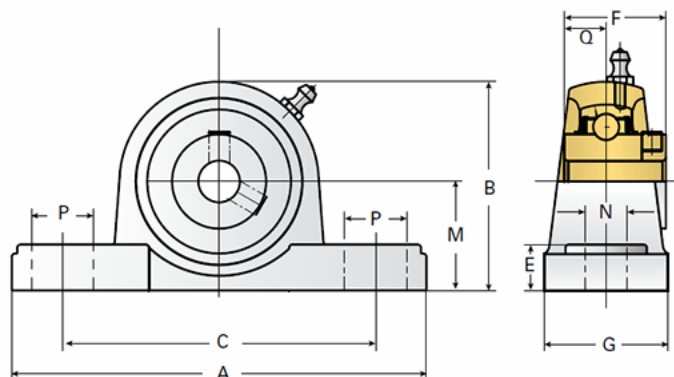


## EZCP215-48

Call 800-321-7800 or visit us online at [www.nookindustries.com](http://www.nookindustries.com) to configure and order your EZCP215-48 today!



<b>Details</b>	
Bore Diameter [in]	3.00
<b>Dimensions</b>	
A [mm]	275
B [mm]	163
C [mm]	217
E [mm]	28
F [mm]	77.8
G [mm]	74
M [mm]	82.6
N [mm]	25
P [mm]	30
Q [mm]	33.3
<b>Product Compatibility Selection</b>	
BSJ	-
MSJ	35-MSJ
SS-MSJ	-
EM-BSJ	-
EM-MSJ	-
Bevel	-
Link Shafting	-