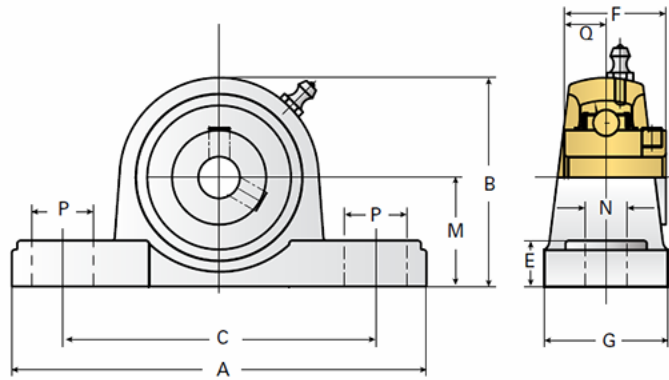


## EZCP213-40

Call 800-321-7800 or visit us online at [www.nookindustries.com](http://www.nookindustries.com) to configure and order your EZCP213-40 today!



### Details

Bore Diameter [in] 2.50

### Dimensions

A [mm] 265  
 B [mm] 150  
 C [mm] 203  
 E [mm] 27  
 F [mm] 65.1  
 G [mm] 70  
 M [mm] 76.2  
 N [mm] 25  
 P [mm] 30  
 Q [mm] 25.4

### Product Compatibility Selection

BSJ -  
 MSJ 30-MSJ  
 SS-MSJ -  
 EM-BSJ -  
 EM-MSJ -  
 Bevel -  
 Link Shafting -