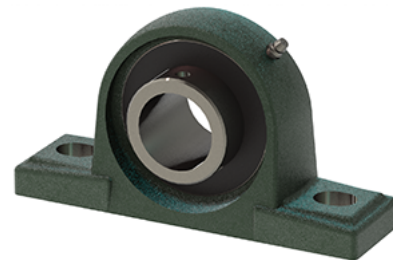
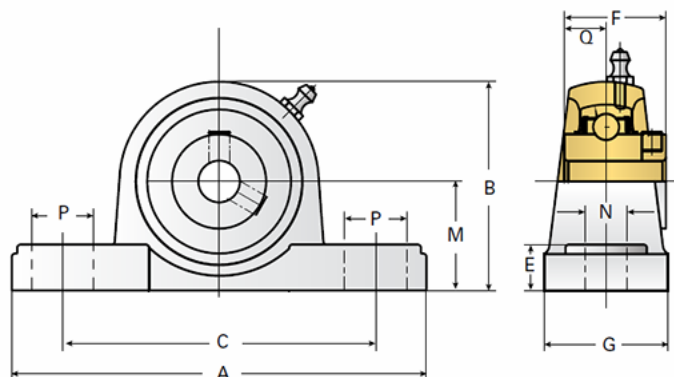


EZCP208-24

Call 800-321-7800 or visit us online at www.nookindustries.com to configure and order your EZCP208-24 today!



Details	
Bore Diameter [in]	1.50
Dimensions	
A [mm]	184
B [mm]	100
C [mm]	137
E [mm]	19
F [mm]	49.2
G [mm]	54
M [mm]	49.2
N [mm]	17
P [mm]	21
Q [mm]	19
Product Compatibility Selection	
BSJ	-
MSJ	15-MSJ
SS-MSJ	15SS-MSJ
EM-BSJ	-
EM-MSJ	-
Bevel	-
Link Shafting	LJ/LJK-24