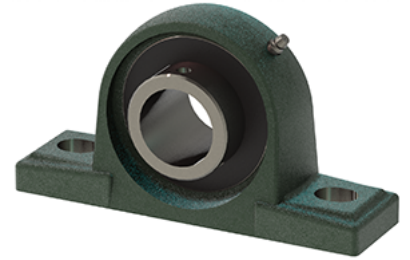
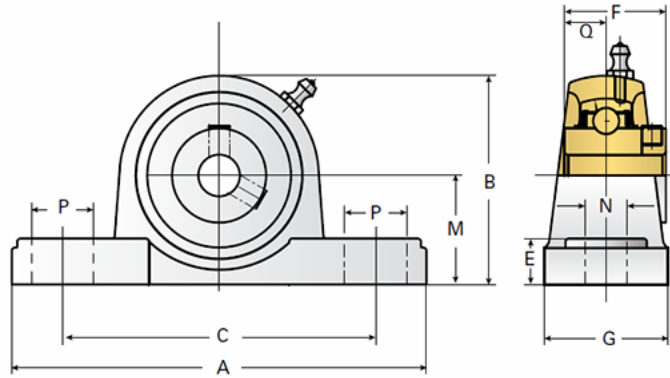


EZCP206-20

Call 800-321-7800 or visit us online at www.nookindustries.com to configure and order your EZCP206-20 today!



Details

Bore Diameter [in] 1.25

Dimensions

A [mm] 165
 B [mm] 83
 C [mm] 121
 E [mm] 18
 F [mm] 38.1
 G [mm] 48
 M [mm] 42.9
 N [mm] 17
 P [mm] 21
 Q [mm] 15.9

Product Compatibility Selection

BSJ -
 MSJ 10-MSJ
 SS-MSJ 10SS-MSJ
 EM-BSJ -
 EM-MSJ -
 Bevel -
 Link Shafting -