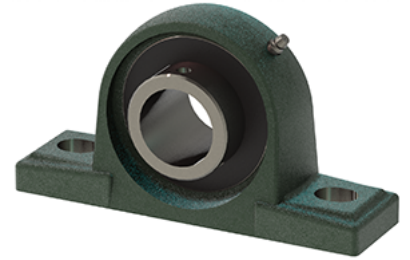
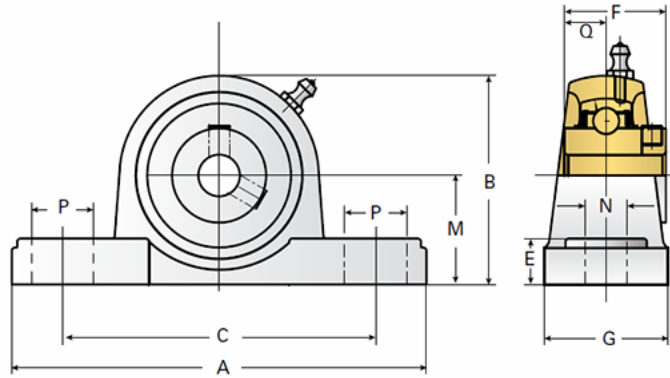


## EZCP204-12

Call 800-321-7800 or visit us online at [www.nookindustries.com](http://www.nookindustries.com) to configure and order your EZCP204-12 today!



### Details

Bore Diameter [in]	0.75
--------------------	------

### Dimensions

A [mm]	127
B [mm]	65
C [mm]	95
E [mm]	15
F [mm]	31
G [mm]	38
M [mm]	33.3
N [mm]	13
P [mm]	19
Q [mm]	12.7

### Product Compatibility Selection

BSJ	2/2R/3-BSJ
MSJ	-
SS-MSJ	-
EM-BSJ	-
EM-MSJ	-
Bevel	-
Link Shafting	LJ/LJK-12