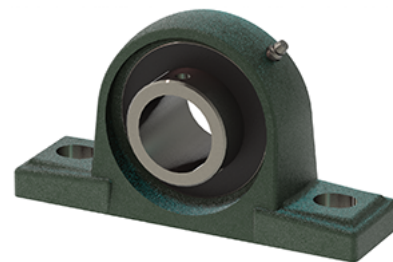
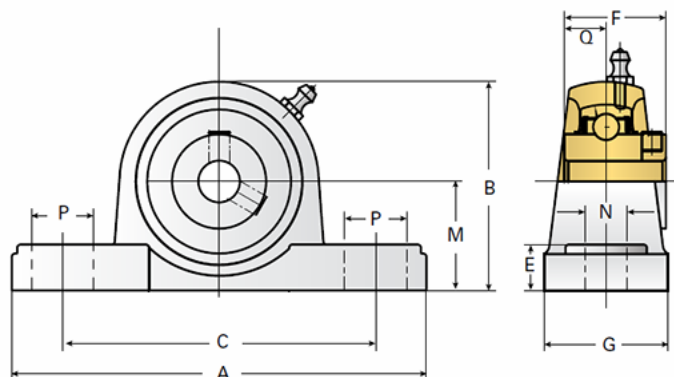


## EZCP202-10

Call 800-321-7800 or visit us online at [www.nookindustries.com](http://www.nookindustries.com) to configure and order your EZCP202-10 today!



Details	
Bore Diameter [in]	0.63
Dimensions	
A [mm]	127
B [mm]	65
C [mm]	95
E [mm]	15
F [mm]	31
G [mm]	38
M [mm]	33.3
N [mm]	13
P [mm]	19
Q [mm]	12.7
Product Compatibility Selection	
BSJ	-
MSJ	2/2R/2.5-MSJ
SS-MSJ	2SS-MSJ
EM-BSJ	-
EM-MSJ	-
Bevel	-
Link Shafting	-