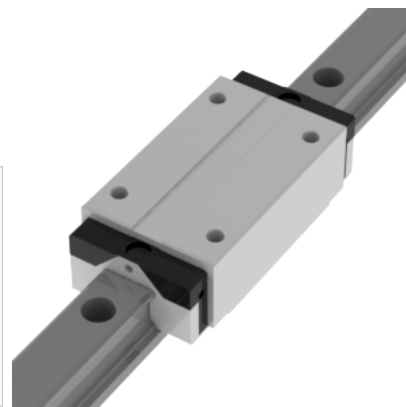


## NHRC 20 ML Assembly

Call 800-321-7800 or visit us online at [www.nookindustries.com](http://www.nookindustries.com) to configure and order your NHRC 20 ML Assembly today!



<b>Dimensions</b>	
H [mm]	30
W2 [mm]	12
<b>Long Caged Ball Block Four Mounting Holes</b>	
<b>Details</b>	
Size [mm]	20
<b>Dimensions</b>	
W [mm]	44
L [mm]	87.2
L1 [mm]	70.2
h2 [mm]	25
P1 [mm]	50
P2 [mm]	32
M1 [mm]	—
M x g2	M5 x 8.5
T [mm]	6
N1	M3 x 7.5
N2	M3 x 5.5
N3 [O-Ring Seal]	P4
E [mm]	10
S1 [mm]	6
S2 [mm]	9.4
S3 [mm]	13.1
S4 [mm]	13.8
<b>Forces and Torques</b>	
Basic Load Ratings C [kN]	20.4
Basic Load Ratings C0 [kN]	38.5
Static Moment Ratings-Ma [N-m]	390.0
Static Moment Ratings-Mb [N-m]	390.0
Static Moment Ratings-Mc [N-m]	415.0
<b>Weight</b>	
Weight-Block [g]	142
<b>Caged Ball Rail Top Mount</b>	
<b>Details</b>	
Size [mm]	20
<b>Dimensions</b>	
W1 [mm]	20
H1 [mm]	20
P [mm]	60
D [mm]	9.5
d1 [mm]	6
g1 [mm]	8.5
<b>Weight</b>	
Weights-Rail [g/m]	2280.0
<b>Caged Ball Rail Bottom Tapped Mount</b>	
<b>Details</b>	
Size [mm]	20
<b>Dimensions</b>	
W1 [mm]	20
H1 [mm]	20
P [mm]	60
M x g3	M6 x 10
<b>Weight</b>	
Weights-Rail [g/m]	2280.0