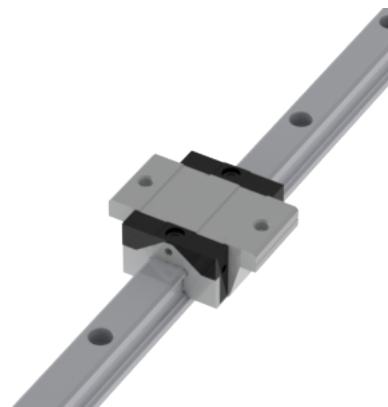
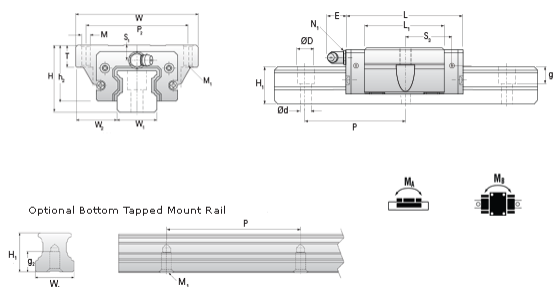


## NARC 15 FS Assembly

Call 800-321-7800 or visit us online at [www.nookindustries.com](http://www.nookindustries.com) to configure and order your NARC 15 FS Assembly today!



<b>Dimensions</b>	
H [mm]	24
W2 [mm]	18.5
<b>Short Caged Ball Block Two Perpendiculare Mounting Holes</b>	
<b>Details</b>	
Size [mm]	15
<b>Dimensions</b>	
W [mm]	52
L [mm]	41.2
L1 [mm]	26
h2 [mm]	20.7
P2 [mm]	41
M1 [mm]	M4
M x g2	M5 x 7
T [mm]	7
N1	M3 x 6.5
N2	M3 x 6
N3 [O-Ring Seal]	P3
E [mm]	3.5
S1 [mm]	4.5
S2 [mm]	7.5
S3 [mm]	15.7
S4 [mm]	16.8
<b>Forces and Torques</b>	
Basic Load Ratings C [kN]	7.7
Basic Load Ratings C0 [kN]	12.1
Static Moment Ratings-Ma [N-m]	50.0
Static Moment Ratings-Mb [N-m]	50.0
Static Moment Ratings-Mc [N-m]	100.0
<b>Weight</b>	
Weight-Block [g]	122
<b>Caged Ball Rail Top Mount</b>	
<b>Details</b>	
Size [mm]	15
<b>Dimensions</b>	
W1 [mm]	15
H1 [mm]	15
P [mm]	60
D [mm]	7.5
d1 [mm]	4.5
g1 [mm]	5.3
<b>Weight</b>	
Weights-Rail [g/m]	1290.0
<b>Caged Ball Rail Bottom Tapped Mount</b>	
<b>Details</b>	
Size [mm]	15
<b>Dimensions</b>	
W1 [mm]	15
H1 [mm]	15
P [mm]	60
M x g3	M5 x 8
<b>Weight</b>	
Weights-Rail [g/m]	1290.0