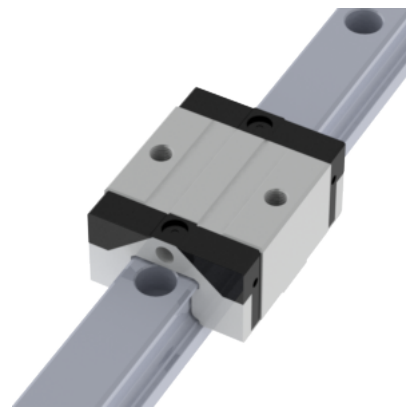
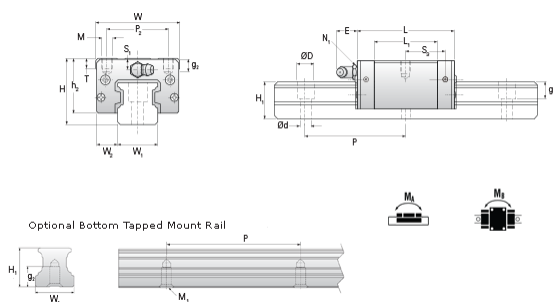


## NARC 25 MS Assembly

Call 800-321-7800 or visit us online at [www.nookindustries.com](http://www.nookindustries.com) to configure and order your NARC 25 MS Assembly today!



<b>Dimensions</b>	
H [mm]	33
W2 [mm]	12.5
<b>Short Caged Ball Block Two Perpendiculare Mounting Holes</b>	
<b>Details</b>	
Size [mm]	25
<b>Dimensions</b>	
W [mm]	48
L [mm]	57.4
L1 [mm]	38.4
h2 [mm]	27
P2 [mm]	35
M1 [mm]	-
M x g2	M6 x 9
T [mm]	8
N1	M6 x 7.5
N2	M3 x 6.5
N3 [O-Ring Seal]	P4
E [mm]	12
S1 [mm]	5
S2 [mm]	9.3
S3 [mm]	22.2
S4 [mm]	23.2
<b>Forces and Torques</b>	
Basic Load Ratings C [kN]	18.2
Basic Load Ratings C0 [kN]	27.3
Static Moment Ratings-Ma [N-m]	160.0
Static Moment Ratings-Mb [N-m]	160.0
Static Moment Ratings-Mc [N-m]	350.0
<b>Weight</b>	
Weight-Block [g]	300
<b>Caged Ball Rail Top Mount</b>	
<b>Details</b>	
Size [mm]	25
<b>Dimensions</b>	
W1 [mm]	23
H1 [mm]	23
P [mm]	60
D [mm]	11
d1 [mm]	7
g1 [mm]	9
<b>Weight</b>	
Weights-Rail [g/m]	3020.0
<b>Caged Ball Rail Bottom Tapped Mount</b>	
<b>Details</b>	
Size [mm]	25
<b>Dimensions</b>	
W1 [mm]	23
H1 [mm]	23
P [mm]	60
M x g3	M6 x 12
<b>Weight</b>	
Weights-Rail [g/m]	3020.0