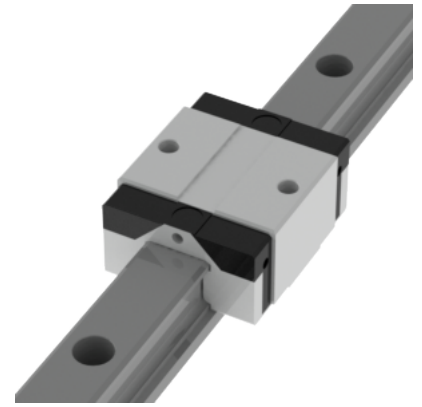
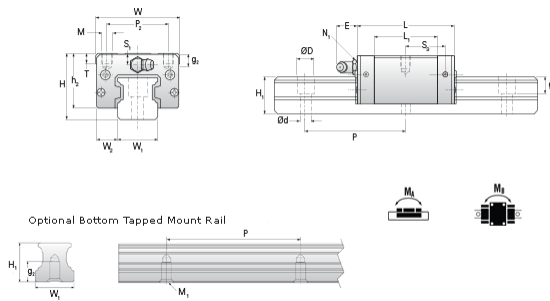


NARC 20 MS Assembly

Call 800-321-7800 or visit us online at www.nookindustries.com to configure and order your NARC 20 MS Assembly today!



Dimensions	
H [mm]	28
W2 [mm]	11
Short Caged Ball Block Two Perpendiculare Mounting Holes	
Details	
Size [mm]	20
Dimensions	
W [mm]	42
L [mm]	49.2
L1 [mm]	32.2
h2 [mm]	23
P2 [mm]	32
M1 [mm]	-
M x g2	M5 x 7
T [mm]	8
N1	M3 x 7.5
N2	M3 x 5.5
N3 [O-Ring Seal]	P4
E [mm]	10
S1 [mm]	4
S2 [mm]	7.4
S3 [mm]	19.1
S4 [mm]	19.8
Forces and Torques	
Basic Load Ratings C [kN]	12.5
Basic Load Ratings C0 [kN]	19.3
Static Moment Ratings-Ma [N-m]	100.0
Static Moment Ratings-Mb [N-m]	100.0
Static Moment Ratings-Mc [N-m]	205.0
Weight	
Weight-Block [g]	170
Caged Ball Rail Top Mount	
Details	
Size [mm]	20
Dimensions	
W1 [mm]	20
H1 [mm]	20
P [mm]	60
D [mm]	9.5
d1 [mm]	6
g1 [mm]	8.5
Weight	
Weights-Rail [g/m]	2280.0
Caged Ball Rail Bottom Tapped Mount	
Details	
Size [mm]	20
Dimensions	
W1 [mm]	20
H1 [mm]	20
P [mm]	60
M x g3	M6 x 10
Weight	
Weights-Rail [g/m]	2280.0