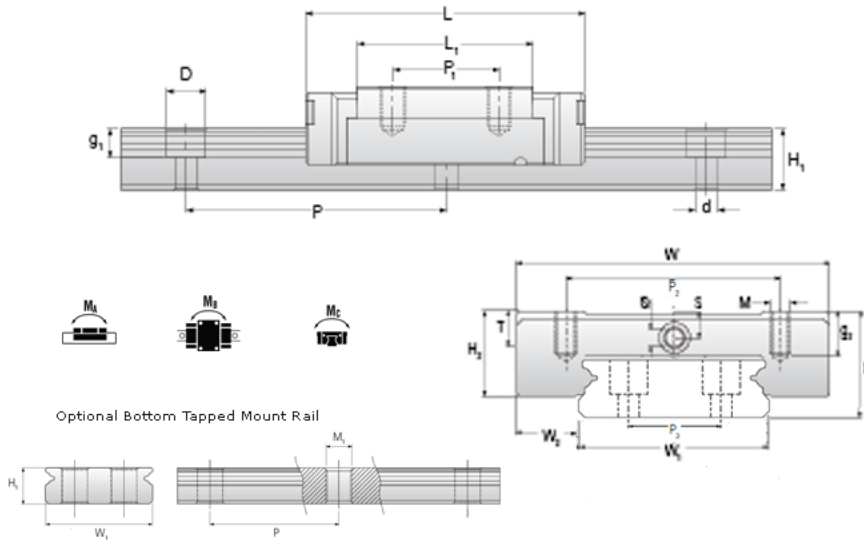
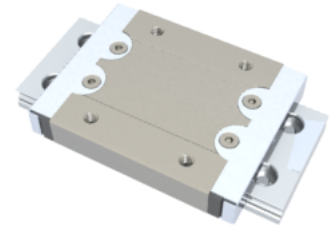


## NMR 15WL EZ Assembly

Call 800-321-7800 or visit us online at [www.nookindustries.com](http://www.nookindustries.com) to configure and order your NMR 15WL EZ Assembly today!



Optional Bottom Tapped Mount Rail

<b>Dimensions</b>	
H [mm]	16
W2 [mm]	9
<b>Wide Miniature Block Four Mounting Holes</b>	
<b>Details</b>	
Size [mm]	15
<b>Dimensions</b>	
W [mm]	60
L [mm]	76
L1 [mm]	57.6
h2 [mm]	12.8
P1 [mm]	35
P2 [mm]	45
M x g2	M4 x 4.5
Ø [mm]	1.8
S [mm]	3.3
T [mm]	4.5
<b>Forces and Torques</b>	
Basic Load Ratings C [N]	6725
Basic Load Ratings C0 [N]	12580
Static Moment Ratings-Ma [N-m]	257.6
Static Moment Ratings-Mb [N-m]	93.1
Static Moment Ratings-Mc [N-m]	93.1
<b>Weight</b>	
Weight-Block [g]	203
<b>Wide Miniature Rail Top Mount Double Row</b>	
<b>Details</b>	
Size [mm]	15
<b>Dimensions</b>	
H [mm]	16
W1 [mm]	42
H1 [mm]	9.5
P [mm]	40
P3 [mm]	23
D [mm]	8
d1 [mm]	4.5
g1 [mm]	4.5
<b>Weight</b>	
Weights-Rail [g/m]	2818.0
<b>Wide Miniature Rail Bottom Tapped Mount Double Row</b>	
<b>Details</b>	
Size [mm]	15
<b>Dimensions</b>	
H1 [mm]	9.5
W1 [mm]	42
P [mm]	40
P3 [mm]	23

---

M1	M5 x 0.8
<b>Weight</b>	
Weights-Rail [g/m]	2818.0

---