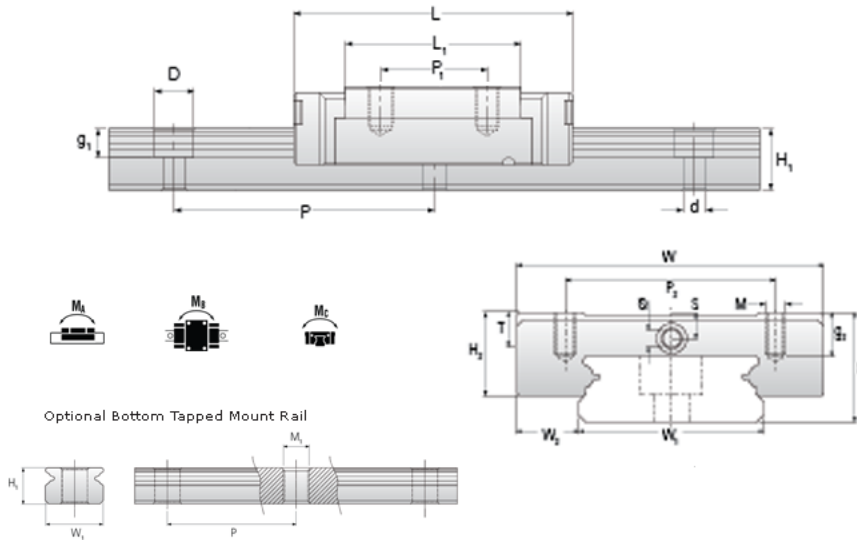


NMR 9WN EE Assembly

Call 800-321-7800 or visit us online at www.nookindustries.com to configure and order your NMR 9WN EE Assembly today!



| | |
|---|----------|
| Dimensions | |
| H [mm] | 12 |
| W2 [mm] | 6 |
| Wide Miniature Block Four Mounting Holes | |
| Details | |
| Size [mm] | 9 |
| Dimensions | |
| W [mm] | 30 |
| L [mm] | 40.2 |
| L1 [mm] | 27.9 |
| h2 [mm] | 9.2 |
| P1 [mm] | 12 |
| P2 [mm] | 21 |
| M x g2 | M3 x 3 |
| Ø [mm] | 1.3 |
| S [mm] | 2.6 |
| T [mm] | 4 |
| Forces and Torques | |
| Basic Load Ratings C [N] | 2030 |
| Basic Load Ratings C0 [N] | 3605 |
| Static Moment Ratings-Ma [N-m] | 33.2 |
| Static Moment Ratings-Mb [N-m] | 13.7 |
| Static Moment Ratings-Mc [N-m] | 13.7 |
| Weight | |
| Weight-Block [g] | 37 |
| Wide Miniature Rail Top Mount Single Row | |
| Details | |
| Size [mm] | 9 |
| Dimensions | |
| H [mm] | 12 |
| W1 [mm] | 18 |
| H1 [mm] | 7.3 |
| P [mm] | 30 |
| D [mm] | 6 |
| d1 [mm] | 3.5 |
| g1 [mm] | 3.5 |
| Weight | |
| Weights-Rail [g/m] | 940.0 |
| Wide Miniature Rail Bottom Tapped Mount Single Row | |
| Details | |
| Size [mm] | 9 |
| Dimensions | |
| H1 [mm] | 8.5 |
| W1 [mm] | 24 |
| P [mm] | 40 |
| M1 | M5 x 0.8 |
| Weight | |

