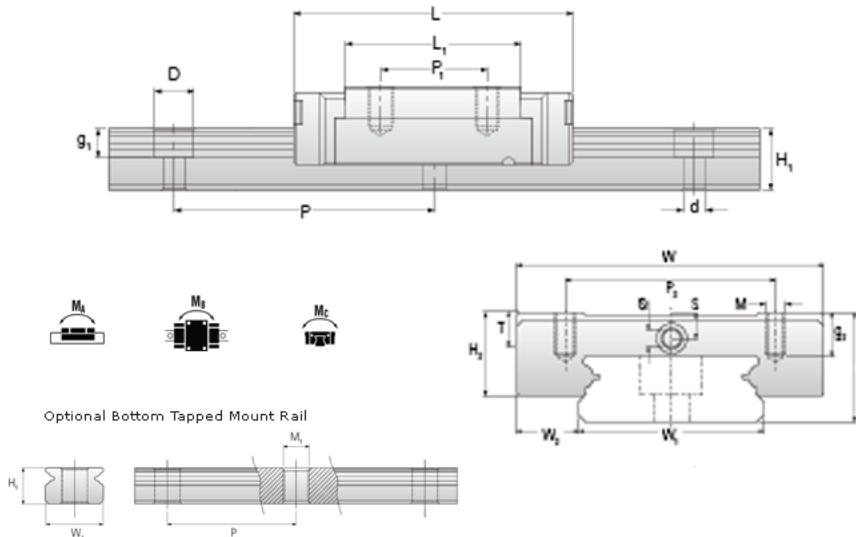


NMR 7WL EE Assembly

Call 800-321-7800 or visit us online at www.nookindustries.com to configure and order your NMR 7WL EE Assembly today!



Dimensions

H [mm]	9
W2 [mm]	5.5

Wide Miniature Block Four Mounting Holes

Details

Size [mm]	7
-----------	---

Dimensions

W [mm]	25
L [mm]	41.5
L1 [mm]	30.1
h2 [mm]	7.5
P1 [mm]	19
P2 [mm]	19
M x g2	M3 x 3
Ø [mm]	1.1
S [mm]	1.9
T [mm]	3.2

Forces and Torques

Basic Load Ratings C [N]	1570
Basic Load Ratings C0 [N]	3140
Static Moment Ratings-Ma [N-m]	22.7
Static Moment Ratings-Mb [N-m]	14.9
Static Moment Ratings-Mc [N-m]	14.9

Weight

Weight-Block [g]	27
------------------	----

Wide Miniature Rail Top Mount Single Row

Details

Size [mm]	7
-----------	---

Dimensions

H [mm]	9
W1 [mm]	14
H1 [mm]	5.2
P [mm]	30
D [mm]	5
d1 [mm]	3.5
g1 [mm]	3.5

Weight

Weights-Rail [g/m]	516.0
--------------------	-------

Wide Miniature Rail Bottom Tapped Mount Single Row

Details

Size [mm]	7
-----------	---

Dimensions

H1 [mm]	7.5
W1 [mm]	18
P [mm]	30
M1	M4 x 0.7

Weight

