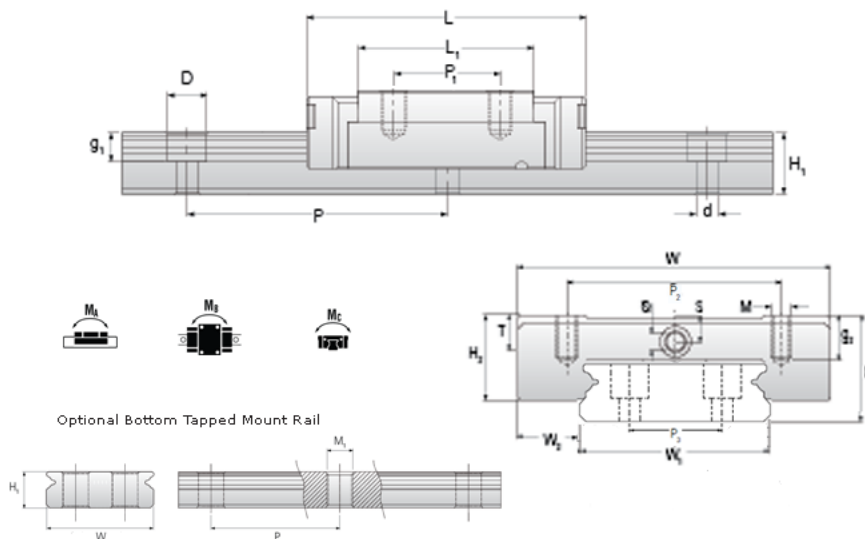
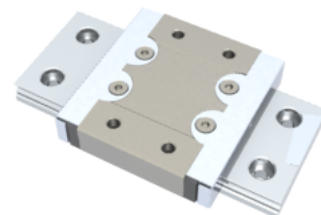


NMR 15WN ZUE Assembly

Call 800-321-7800 or visit us online at www.nookindustries.com to configure and order your NMR 15WN ZUE Assembly today!



Dimensions	
H [mm]	16
W2 [mm]	9
Wide Miniature Block Four Mounting Holes	
Details	
Size [mm]	15
Dimensions	
W [mm]	60
L [mm]	56.9
L1 [mm]	38.5
h2 [mm]	13.1
P1 [mm]	20
P2 [mm]	45
M x g2	M4 x 4.5
Ø [mm]	1.8
S [mm]	3.3
T [mm]	4.5
Forces and Torques	
Basic Load Ratings C [N]	5065
Basic Load Ratings C0 [N]	8385
Static Moment Ratings-Ma [N-m]	171.7
Static Moment Ratings-Mb [N-m]	45.7
Static Moment Ratings-Mc [N-m]	45.7
Weight	
Weight-Block [g]	140
Wide Miniature Rail Top Mount Double Row	
Details	
Size [mm]	15
Dimensions	
H [mm]	16
W1 [mm]	42
H1 [mm]	9.5
P [mm]	40
P3 [mm]	23
D [mm]	8
d1 [mm]	4.5
g1 [mm]	4.5
Weight	
Weights-Rail [g/m]	2818.0
Wide Miniature Rail Bottom Tapped Mount Double Row	
Details	
Size [mm]	15
Dimensions	
H1 [mm]	9.5
W1 [mm]	42
P [mm]	40
P3 [mm]	23

M1	M5 x 0.8
Weight	
Weights-Rail [g/m]	2818.0