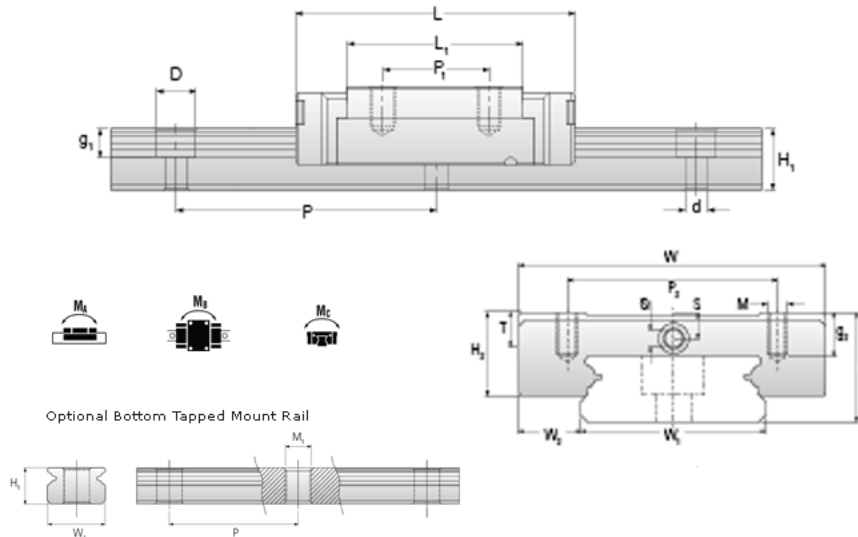


NMR 7WL SUE Assembly

Call 800-321-7800 or visit us online at www.nookindustries.com to configure and order your NMR 7WL SUE Assembly today!



Dimensions	
H [mm]	9
W2 [mm]	5.5
Wide Miniature Block Four Mounting Holes	
Details	
Size [mm]	7
Dimensions	
W [mm]	25
L [mm]	41.5
L1 [mm]	30.1
h2 [mm]	7.6
P1 [mm]	19
P2 [mm]	19
M x g2	M3 x 3
Ø [mm]	1.1
S [mm]	1.9
T [mm]	3.2
Forces and Torques	
Basic Load Ratings C [N]	1570
Basic Load Ratings C0 [N]	3140
Static Moment Ratings-Ma [N-m]	22.7
Static Moment Ratings-Mb [N-m]	14.9
Static Moment Ratings-Mc [N-m]	14.9
Weight	
Weight-Block [g]	27
Wide Miniature Rail Top Mount Single Row	
Details	
Size [mm]	7
Dimensions	
H [mm]	9
W1 [mm]	14
H1 [mm]	5.2
P [mm]	30
D [mm]	5
d1 [mm]	3.5
g1 [mm]	3.5
Weight	
Weights-Rail [g/m]	516.0
Wide Miniature Rail Bottom Tapped Mount Single Row	
Details	
Size [mm]	7
Dimensions	
H1 [mm]	7.5
W1 [mm]	18
P [mm]	30
M1	M4 x 0.7
Weight	

