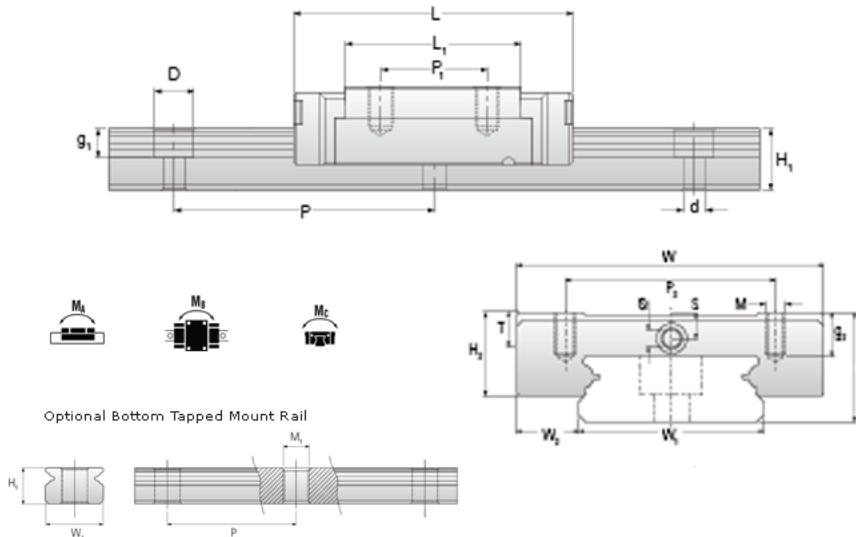


## NMR 9WN SS Assembly

Call 800-321-7800 or visit us online at [www.nookindustries.com](http://www.nookindustries.com) to configure and order your NMR 9WN SS Assembly today!



<b>Dimensions</b>	
H [mm]	12
W2 [mm]	6
<b>Wide Miniature Block Four Mounting Holes</b>	
<b>Details</b>	
Size [mm]	9
<b>Dimensions</b>	
W [mm]	30
L [mm]	39.1
L1 [mm]	27.9
h2 [mm]	8.6
P1 [mm]	12
P2 [mm]	21
M x g2	M3 x 3
Ø [mm]	1.3
S [mm]	2.6
T [mm]	4
<b>Forces and Torques</b>	
Basic Load Ratings C [N]	2030
Basic Load Ratings C0 [N]	3605
Static Moment Ratings-Ma [N-m]	13.7
Static Moment Ratings-Mb [N-m]	13.7
Static Moment Ratings-Mc [N-m]	33.2
<b>Weight</b>	
Weight-Block [g]	37
<b>Wide Miniature Rail Top Mount Single Row</b>	
<b>Details</b>	
Size [mm]	9
<b>Dimensions</b>	
H [mm]	12
W1 [mm]	18
H1 [mm]	7.3
P [mm]	30
D [mm]	6
d1 [mm]	3.5
g1 [mm]	3.5
<b>Weight</b>	
Weights-Rail [g/m]	940.0
<b>Wide Miniature Rail Bottom Tapped Mount Single Row</b>	
<b>Details</b>	
Size [mm]	9
<b>Dimensions</b>	
H1 [mm]	8.5
W1 [mm]	24
P [mm]	40
M1	M5 x 0.8
<b>Weight</b>	

