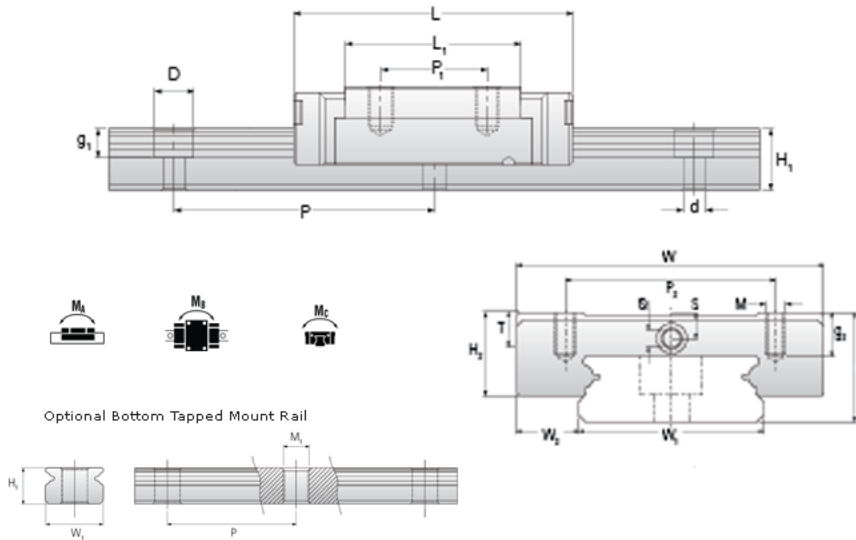
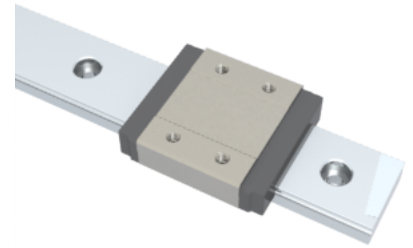


NMR 12WN SU Assembly

Call 800-321-7800 or visit us online at www.nookindustries.com to configure and order your NMR 12WN SU Assembly today!



Dimensions	
H [mm]	14
W2 [mm]	8
Wide Miniature Block Four Mounting Holes	
Details	
Size [mm]	12
Dimensions	
W [mm]	40
L [mm]	44.4
L1 [mm]	31
h2 [mm]	10.4
P1 [mm]	15
P2 [mm]	28
M x g2	M3 x 3.5
Ø [mm]	1.3
S [mm]	3.1
T [mm]	4.5
Forces and Torques	
Basic Load Ratings C [N]	3065
Basic Load Ratings C0 [N]	5200
Static Moment Ratings-Ma [N-m]	26.3
Static Moment Ratings-Mb [N-m]	26.3
Static Moment Ratings-Mc [N-m]	63.7
Weight	
Weight-Block [g]	65
Wide Miniature Rail Top Mount Single Row	
Details	
Size [mm]	12
Dimensions	
H [mm]	14
W1 [mm]	24
H1 [mm]	8.5
P [mm]	40
D [mm]	8
d1 [mm]	4.5
g1 [mm]	4.5
Weight	
Weights-Rail [g/m]	1472.0
Wide Miniature Rail Bottom Tapped Mount Single Row	
Details	
Size [mm]	12
Dimensions	
H1 [mm]	9.5
W1 [mm]	42
P [mm]	40
M1	M5 x 0.8
Weight	

