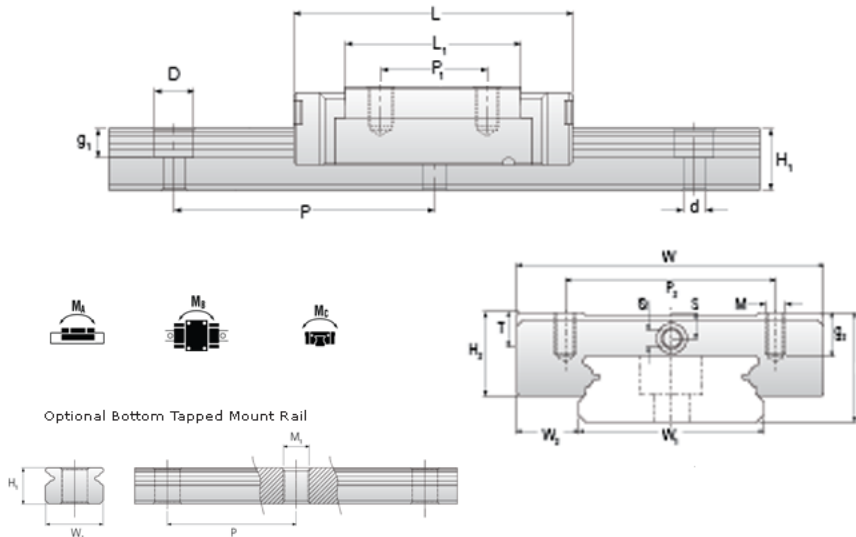


NMR 9WN SU Assembly

Call 800-321-7800 or visit us online at www.nookindustries.com to configure and order your NMR 9WN SU Assembly today!



Dimensions	
H [mm]	12
W2 [mm]	6
Wide Miniature Block Four Mounting Holes	
Details	
Size [mm]	9
Dimensions	
W [mm]	30
L [mm]	39.1
L1 [mm]	27.9
h2 [mm]	8.8
P1 [mm]	12
P2 [mm]	21
M x g2	M3 x 3
Ø [mm]	1.3
S [mm]	2.6
T [mm]	4
Forces and Torques	
Basic Load Ratings C [N]	2030
Basic Load Ratings C0 [N]	3605
Static Moment Ratings-Ma [N-m]	13.7
Static Moment Ratings-Mb [N-m]	13.7
Static Moment Ratings-Mc [N-m]	33.2
Weight	
Weight-Block [g]	37
Wide Miniature Rail Top Mount Single Row	
Details	
Size [mm]	9
Dimensions	
H [mm]	12
W1 [mm]	18
H1 [mm]	7.3
P [mm]	30
D [mm]	6
d1 [mm]	3.5
g1 [mm]	3.5
Weight	
Weights-Rail [g/m]	940.0
Wide Miniature Rail Bottom Tapped Mount Single Row	
Details	
Size [mm]	9
Dimensions	
H1 [mm]	8.5
W1 [mm]	24
P [mm]	40
M1	M5 x 0.8
Weight	

