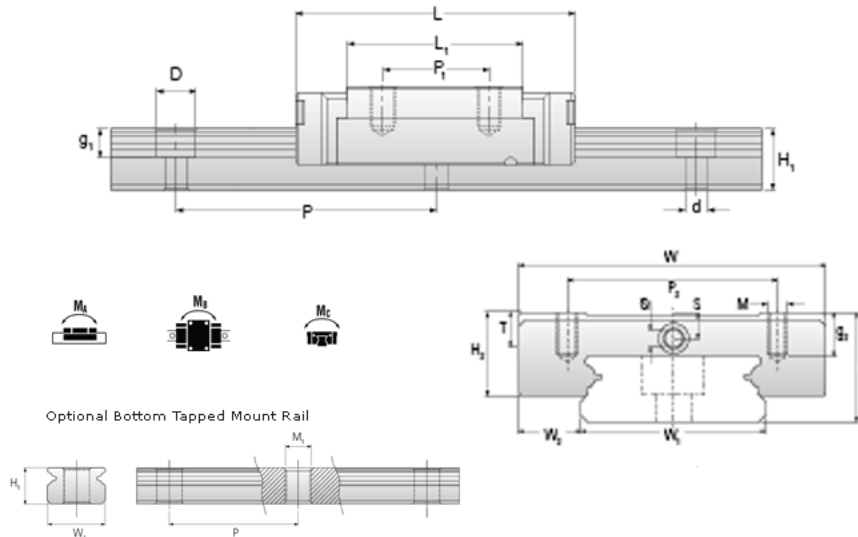
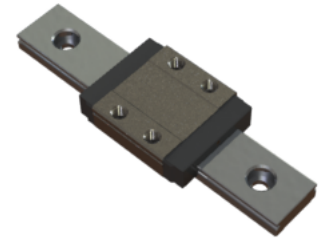


## NMR 7WN SU Assembly

Call 800-321-7800 or visit us online at [www.nookindustries.com](http://www.nookindustries.com) to configure and order your NMR 7WN SU Assembly today!



<b>Dimensions</b>	
H [mm]	9
W2 [mm]	5.5
<b>Wide Miniature Block Four Mounting Holes</b>	
<b>Details</b>	
Size [mm]	7
<b>Dimensions</b>	
W [mm]	25
L [mm]	31.6
L1 [mm]	21.2
h2 [mm]	7.2
P1 [mm]	10
P2 [mm]	19
M x g2	M3 x 3
Ø [mm]	1.1
S [mm]	1.9
T [mm]	3.2
<b>Forces and Torques</b>	
Basic Load Ratings C [N]	1180
Basic Load Ratings C0 [N]	2095
Static Moment Ratings-Ma [N-m]	7.3
Static Moment Ratings-Mb [N-m]	7.3
Static Moment Ratings-Mc [N-m]	15.0
<b>Weight</b>	
Weight-Block [g]	19
<b>Wide Miniature Rail Top Mount Single Row</b>	
<b>Details</b>	
Size [mm]	7
<b>Dimensions</b>	
H [mm]	9
W1 [mm]	14
H1 [mm]	5.2
P [mm]	30
D [mm]	5
d1 [mm]	3.5
g1 [mm]	3.5
<b>Weight</b>	
Weights-Rail [g/m]	516.0
<b>Wide Miniature Rail Bottom Tapped Mount Single Row</b>	
<b>Details</b>	
Size [mm]	7
<b>Dimensions</b>	
H1 [mm]	7.5
W1 [mm]	18
P [mm]	30
M1	M4 x 0.7
<b>Weight</b>	

