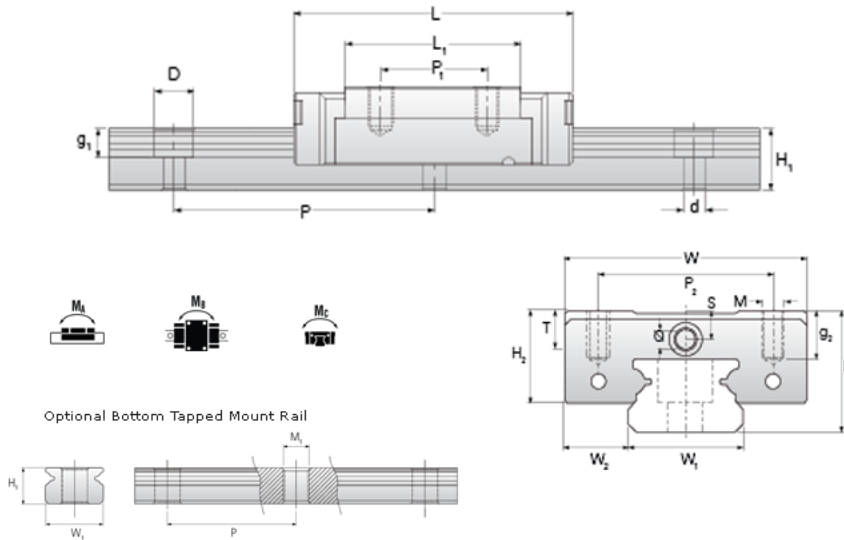
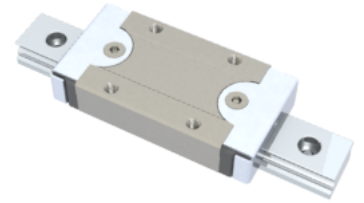


NMR 15ML UZ Assembly

Call 800-321-7800 or visit us online at www.nookindustries.com to configure and order your NMR 15ML UZ Assembly today!



Dimensions

H [mm]	16
W2 [mm]	8.5

Standard Miniature Block Four Mounting Holes

Details

Size [mm]	15
-----------	----

Dimensions

W [mm]	32
L [mm]	61.6
L1 [mm]	44
h2 [mm]	13.1
P1 [mm]	25
P2 [mm]	25
M x g2	M3 x 5.5
Ø [mm]	1.8
S [mm]	3.3
T [mm]	4.3

Forces and Torques

Basic Load Ratings C [N]	5350
Basic Load Ratings C0 [N]	9080
Static Moment Ratings-Ma [N-m]	63.3
Static Moment Ratings-Mb [N-m]	63.3
Static Moment Ratings-Mc [N-m]	70.0

Weight

Weight-Block [g]	90
------------------	----

Standard Miniature Rail Top Mount

Details

Size [mm]	15
-----------	----

Dimensions

H [mm]	16
W1 [mm]	15
H1 [mm]	9.5
P [mm]	40
D [mm]	6
d1 [mm]	3.5
g1 [mm]	4.5

Weight

Weights-Rail [g/m]	930.0
--------------------	-------

Standard Miniature Rail Bottom Tapped Mount

Details

Size [mm]	15
-----------	----

Dimensions

H1 [mm]	9.5
W1 [mm]	15
P [mm]	40
M1	M4 x 0.7

Weight

