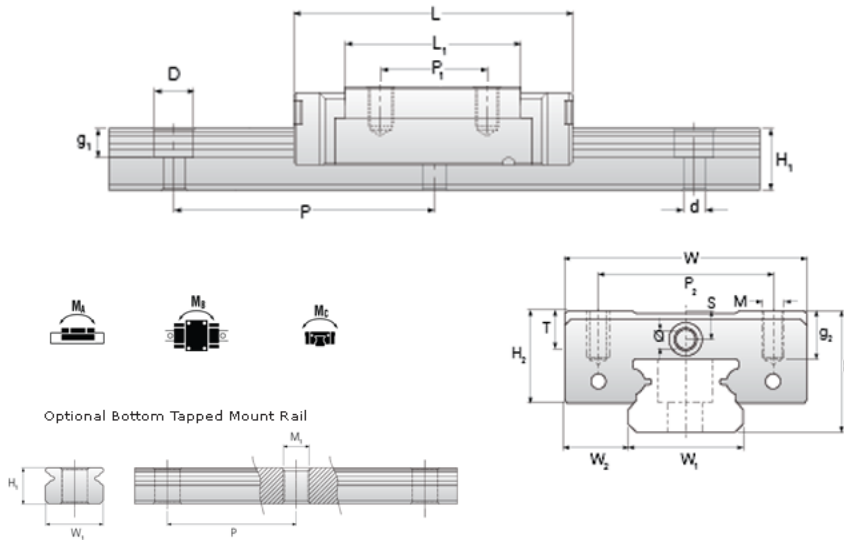
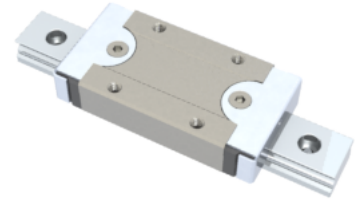


## NMR 15ML EZ Assembly

Call 800-321-7800 or visit us online at [www.nookindustries.com](http://www.nookindustries.com) to configure and order your NMR 15ML EZ Assembly today!



<b>Dimensions</b>	
H [mm]	16
W <sub>2</sub> [mm]	8.5
<b>Standard Miniature Block Four Mounting Holes</b>	
<b>Details</b>	
Size [mm]	15
<b>Dimensions</b>	
W [mm]	32
L [mm]	61.6
L <sub>1</sub> [mm]	44
h <sub>2</sub> [mm]	12.8
P <sub>1</sub> [mm]	25
P <sub>2</sub> [mm]	25
M × g <sub>2</sub>	M3 × 5.5
∅ [mm]	1.8
S [mm]	3.3
T [mm]	4.3
<b>Forces and Torques</b>	
Basic Load Ratings C [N]	5350
Basic Load Ratings C <sub>0</sub> [N]	9080
Static Moment Ratings-M <sub>a</sub> [N-m]	63.3
Static Moment Ratings-M <sub>b</sub> [N-m]	63.3
Static Moment Ratings-M <sub>c</sub> [N-m]	70.0
<b>Weight</b>	
Weight-Block [g]	90
<b>Standard Miniature Rail Top Mount</b>	
<b>Details</b>	
Size [mm]	15
<b>Dimensions</b>	
H [mm]	16
W <sub>1</sub> [mm]	15
H <sub>1</sub> [mm]	9.5
P [mm]	40
D [mm]	6
d <sub>1</sub> [mm]	3.5
g <sub>1</sub> [mm]	4.5
<b>Weight</b>	
Weights-Rail [g/m]	930.0
<b>Standard Miniature Rail Bottom Tapped Mount</b>	
<b>Details</b>	
Size [mm]	15
<b>Dimensions</b>	
H <sub>1</sub> [mm]	9.5
W <sub>1</sub> [mm]	15
P [mm]	40
M <sub>1</sub>	M4 × 0.7
<b>Weight</b>	

