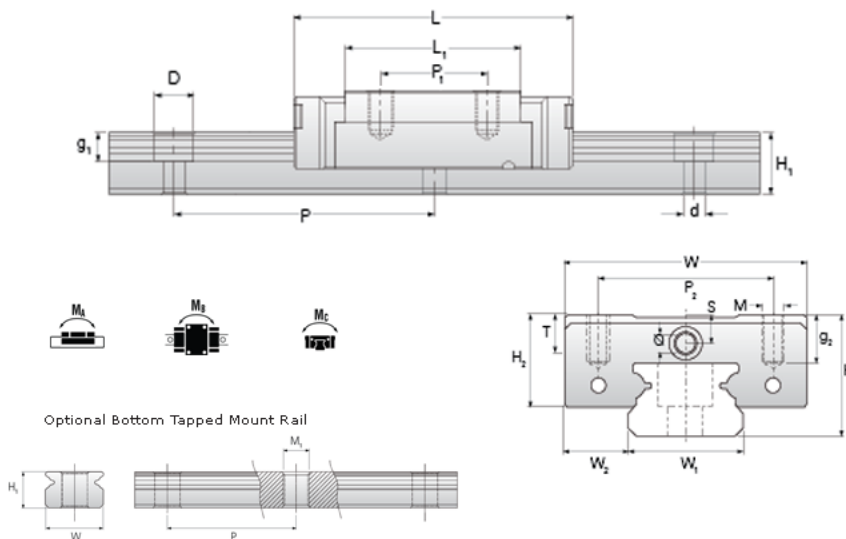
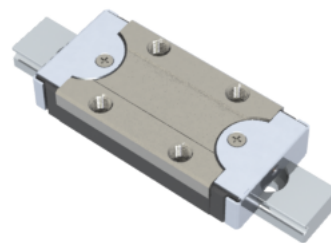


NMR 9ML EE Assembly

Call 800-321-7800 or visit us online at www.nookindustries.com to configure and order your NMR 9ML EE Assembly today!



Dimensions

H [mm]	10
W ₂ [mm]	5.5

Standard Miniature Block Four Mounting Holes

Details

Size [mm]	9
-----------	---

Dimensions

W [mm]	20
L [mm]	41.9
L ₁ [mm]	30.8
h ₂ [mm]	8.3
P ₁ [mm]	16
P ₂ [mm]	15
M × g ₂	M3 × 3.0
∅ [mm]	1.3
S [mm]	2.2
T [mm]	3.3

Forces and Torques

Basic Load Ratings C [N]	2135
Basic Load Ratings C ₀ [N]	3880
Static Moment Ratings-M _a [N-m]	12.4
Static Moment Ratings-M _b [N-m]	12.4
Static Moment Ratings-M _c [N-m]	18.2

Weight

Weight-Block [g]	28
------------------	----

Standard Miniature Rail Top Mount

Details

Size [mm]	9
-----------	---

Dimensions

H [mm]	10
W ₁ [mm]	9
H ₁ [mm]	5.5
P [mm]	20
D [mm]	6
d ₁ [mm]	3.5
g ₁ [mm]	3.5

Weight

Weights-Rail [g/m]	301.0
--------------------	-------

Standard Miniature Rail Bottom Tapped Mount

Details

Size [mm]	9
-----------	---

Dimensions

H ₁ [mm]	5.5
W ₁ [mm]	9
P [mm]	20
M ₁	M4 × 0.7

Weight

