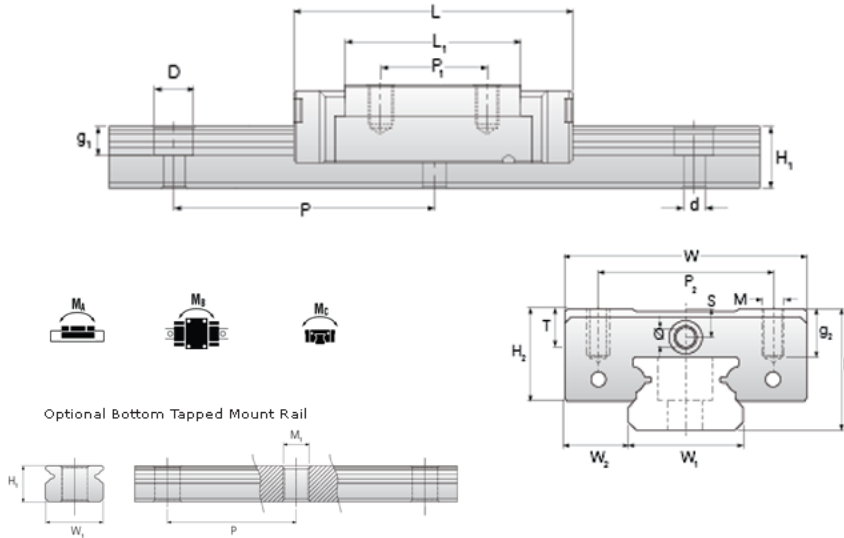
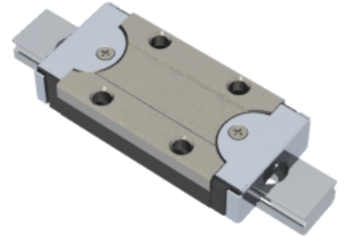


## NMR 9ML ZUE Assembly

Call 800-321-7800 or visit us online at [www.nookindustries.com](http://www.nookindustries.com) to configure and order your NMR 9ML ZUE Assembly today!



<b>Dimensions</b>	
H [mm]	10
W <sub>2</sub> [mm]	5.5
<b>Standard Miniature Block Four Mounting Holes</b>	
<b>Details</b>	
Size [mm]	9
<b>Dimensions</b>	
W [mm]	20
L [mm]	41.7
L <sub>1</sub> [mm]	30.8
h <sub>2</sub> [mm]	8.5
P <sub>1</sub> [mm]	16
P <sub>2</sub> [mm]	15
M × g <sub>2</sub>	M3 × 3.0
∅ [mm]	1.3
S [mm]	2.2
T [mm]	3.3
<b>Forces and Torques</b>	
Basic Load Ratings C [N]	2135
Basic Load Ratings C0 [N]	3880
Static Moment Ratings-M <sub>a</sub> [N-m]	12.4
Static Moment Ratings-M <sub>b</sub> [N-m]	12.4
Static Moment Ratings-M <sub>c</sub> [N-m]	18.2
<b>Weight</b>	
Weight-Block [g]	28
<b>Standard Miniature Rail Top Mount</b>	
<b>Details</b>	
Size [mm]	9
<b>Dimensions</b>	
H [mm]	10
W <sub>1</sub> [mm]	9
H <sub>1</sub> [mm]	5.5
P [mm]	20
D [mm]	6
d <sub>1</sub> [mm]	3.5
g <sub>1</sub> [mm]	3.5
<b>Weight</b>	
Weights-Rail [g/m]	301.0
<b>Standard Miniature Rail Bottom Tapped Mount</b>	
<b>Details</b>	
Size [mm]	9
<b>Dimensions</b>	
H <sub>1</sub> [mm]	5.5
W <sub>1</sub> [mm]	9
P [mm]	20
M <sub>1</sub>	M4 × 0.7
<b>Weight</b>	

