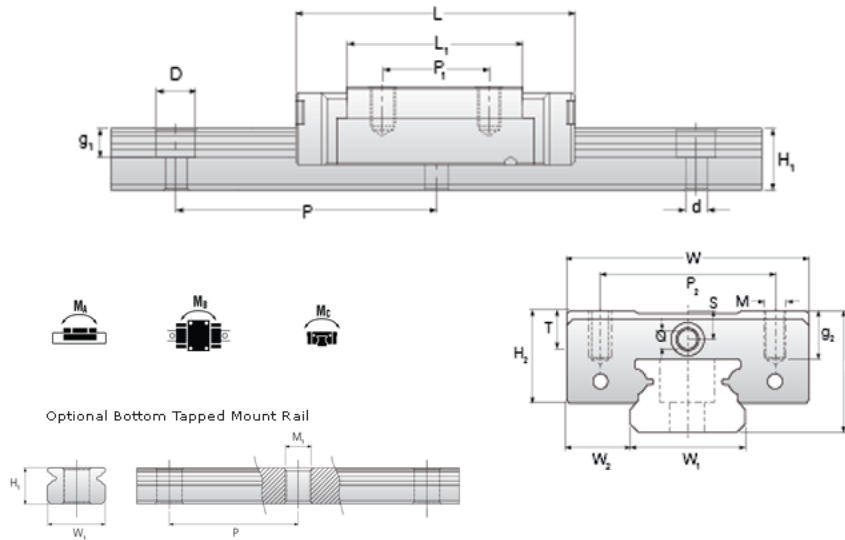
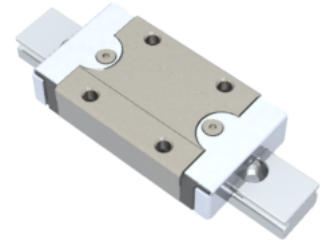


NMR 12ML SUE Assembly

Call 800-321-7800 or visit us online at www.nookindustries.com to configure and order your NMR 12ML SUE Assembly today!



Dimensions	
H [mm]	13
W2 [mm]	7.5
Standard Miniature Block Four Mounting Holes	
Details	
Size [mm]	12
Dimensions	
W [mm]	27
L [mm]	49
L1 [mm]	34
h2 [mm]	10.8
P1 [mm]	20
P2 [mm]	20
M x g2	M3 x 3.5
Ø [mm]	1.3
S [mm]	3.2
T [mm]	4.3
Forces and Torques	
Basic Load Ratings C [N]	3240
Basic Load Ratings C0 [N]	5630
Static Moment Ratings-Ma [N-m]	30.2
Static Moment Ratings-Mb [N-m]	30.2
Static Moment Ratings-Mc [N-m]	34.9
Weight	
Weight-Block [g]	51
Standard Miniature Rail Top Mount	
Details	
Size [mm]	12
Dimensions	
H [mm]	13
W1 [mm]	12
H1 [mm]	7.5
P [mm]	25
D [mm]	6
d1 [mm]	3.5
g1 [mm]	4.5
Weight	
Weights-Rail [g/m]	602.0
Standard Miniature Rail Bottom Tapped Mount	
Details	
Size [mm]	12
Dimensions	
H1 [mm]	7.5
W1 [mm]	12
P [mm]	25
M1	M4 x 0.7
Weight	

