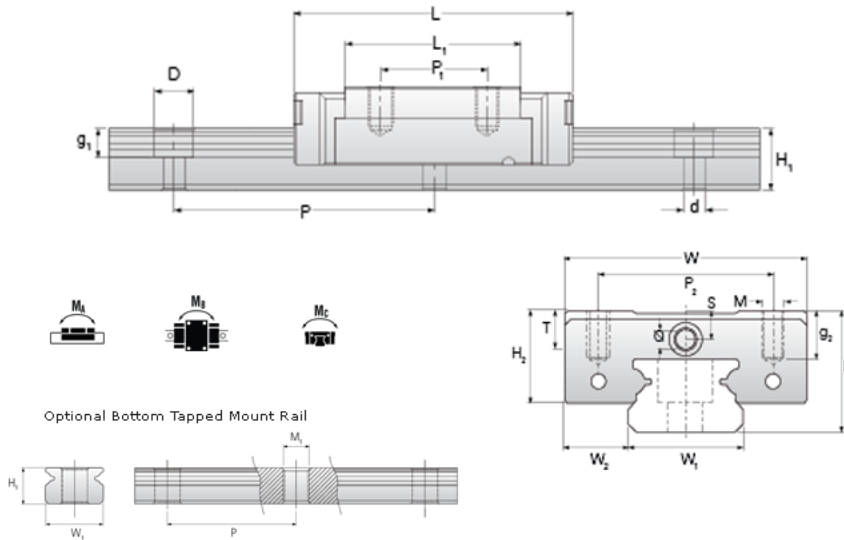
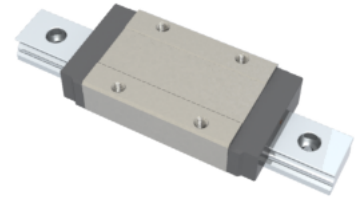


NMR 15ML ZZ Assembly

Call 800-321-7800 or visit us online at www.nookindustries.com to configure and order your NMR 15ML ZZ Assembly today!



Dimensions	
H [mm]	16
W ₂ [mm]	8.5
Standard Miniature Block Four Mounting Holes	
Details	
Size [mm]	15
Dimensions	
W [mm]	32
L [mm]	60
L ₁ [mm]	44
h ₂ [mm]	12
P ₁ [mm]	25
P ₂ [mm]	25
M × g ₂	M3 × 5.5
∅ [mm]	1.8
S [mm]	3.3
T [mm]	4.3
Forces and Torques	
Basic Load Ratings C [N]	5350
Basic Load Ratings C0 [N]	9080
Static Moment Ratings-M _a [N-m]	63.3
Static Moment Ratings-M _b [N-m]	63.3
Static Moment Ratings-M _c [N-m]	70.0
Weight	
Weight-Block [g]	90
Standard Miniature Rail Top Mount	
Details	
Size [mm]	15
Dimensions	
H [mm]	16
W ₁ [mm]	15
H ₁ [mm]	9.5
P [mm]	40
D [mm]	6
d ₁ [mm]	3.5
g ₁ [mm]	4.5
Weight	
Weights-Rail [g/m]	930.0
Standard Miniature Rail Bottom Tapped Mount	
Details	
Size [mm]	15
Dimensions	
H ₁ [mm]	9.5
W ₁ [mm]	15
P [mm]	40
M ₁	M4 × 0.7
Weight	

