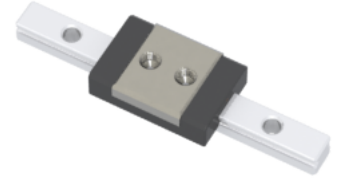
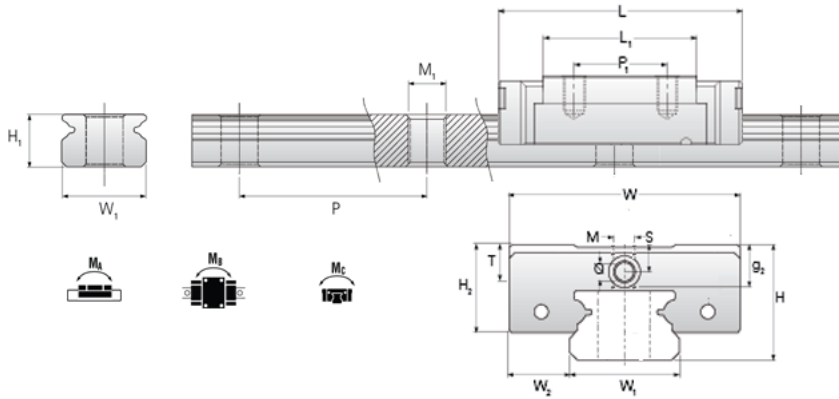


## NMRU 3MN SS Assembly

Call 800-321-7800 or visit us online at [www.nookindustries.com](http://www.nookindustries.com) to configure and order your NMRU 3MN SS Assembly today!



<b>Dimensions</b>	
H [mm]	4
W2 [mm]	2.5
<b>Standard Miniature Block Two Axial Mounting Holes</b>	
<b>Details</b>	
Size [mm]	3
<b>Dimensions</b>	
W [mm]	8
L [mm]	11.7
L1 [mm]	6.7
h2 [mm]	3
P1 [mm]	3.5
M x g2	M1.6 x 1.1
Ø	0.3
S	0.7
T	1.5
<b>Forces and Torques</b>	
Basic Load Ratings C [N]	190
Basic Load Ratings C0 [N]	310
Static Moment Ratings-Ma [N-m]	0.4
Static Moment Ratings-Mb [N-m]	0.4
Static Moment Ratings-Mc [N-m]	0.6
<b>Weight</b>	
Weight-Block [g]	0.9
<b>Standard Miniature Rail Bottom Tapped Mount</b>	
<b>Details</b>	
Size [mm]	3
<b>Dimensions</b>	
H1 [mm]	2.6
W1 [mm]	3
P [mm]	10
M1	M1.6 x 0.35
<b>Weight</b>	
Weights-Rail [g/m]	53.0