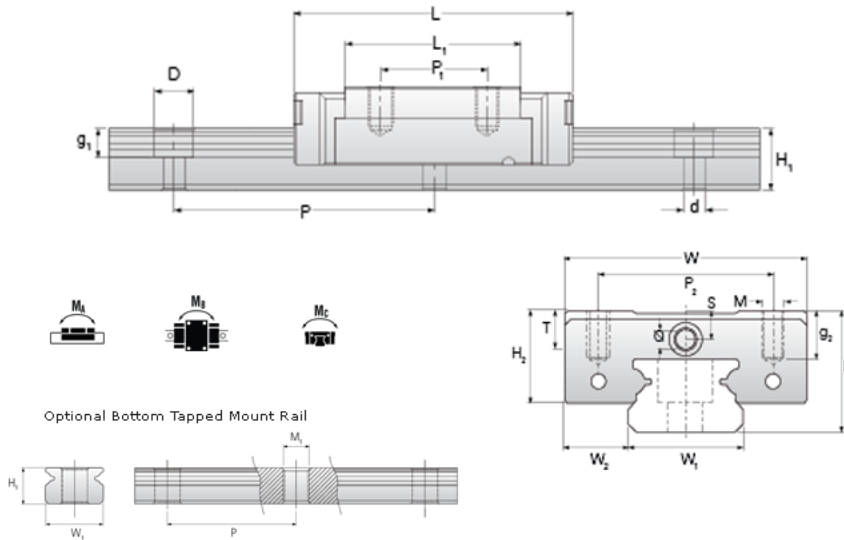
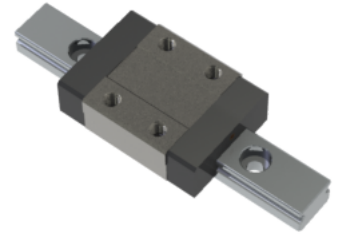


NMR 7MN ZU Assembly

Call 800-321-7800 or visit us online at www.nookindustries.com to configure and order your NMR 7MN ZU Assembly today!



Dimensions	
H [mm]	8
W ₂ [mm]	5
Standard Miniature Block Four Mounting Holes	
Details	
Size [mm]	7
Dimensions	
W [mm]	17
L [mm]	23.7
L ₁ [mm]	14.3
h ₂ [mm]	6.7
P ₁ [mm]	8
P ₂ [mm]	12
M × g ₂	M2 × 2.5
∅ [mm]	1.1
S [mm]	1.6
T [mm]	2.8
Forces and Torques	
Basic Load Ratings C [N]	890
Basic Load Ratings C ₀ [N]	1400
Static Moment Ratings-M _a [N-m]	3.3
Static Moment Ratings-M _b [N-m]	3.3
Static Moment Ratings-M _c [N-m]	5.2
Weight	
Weight-Block [g]	8
Standard Miniature Rail Top Mount	
Details	
Size [mm]	7
Dimensions	
H [mm]	8
W ₁ [mm]	7
H ₁ [mm]	4.7
P [mm]	15
D [mm]	4.2
d ₁ [mm]	2.4
g ₁ [mm]	2.3
Weight	
Weights-Rail [g/m]	215.0
Standard Miniature Rail Bottom Tapped Mount	
Details	
Size [mm]	7
Dimensions	
H ₁ [mm]	4.7
W ₁ [mm]	7
P [mm]	15
M ₁	M3 × .05
Weight	

