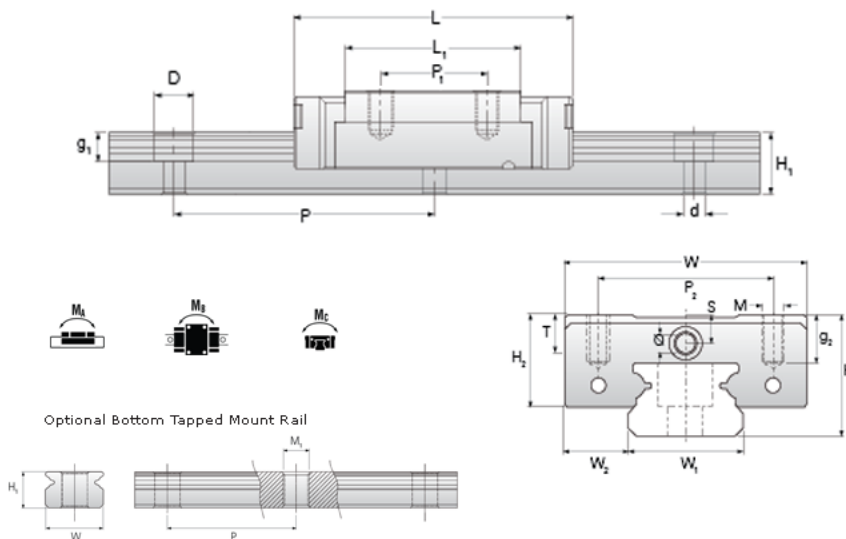
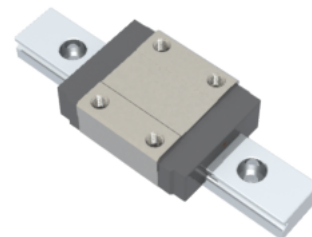


## NMR 12MN SU Assembly

Call 800-321-7800 or visit us online at [www.nookindustries.com](http://www.nookindustries.com) to configure and order your NMR 12MN SU Assembly today!



|   |          |
|---|----------|
| <b>Dimensions</b>                                   |          |
| H [mm]  | 13       |
| W2 [mm]   | 7.5      |
| <b>Standard Miniature Block Four Mounting Holes</b> |          |
| <b>Details</b>                                      |          |
| Size [mm]   | 12       |
| <b>Dimensions</b>                                   |          |
| W [mm]  | 27       |
| L [mm]  | 35.4     |
| L1 [mm]   | 22       |
| h2 [mm]   | 10.2     |
| P1 [mm]   | 15       |
| P2 [mm]   | 20       |
| M x g2  | M3 x 3.5 |
| Ø [mm]  | 1.3      |
| S [mm]  | 3.2      |
| T [mm]  | 4.3      |
| <b>Forces and Torques</b>                           |          |
| Basic Load Ratings C [N]                            | 2308     |
| Basic Load Ratings C0 [N]                           | 3465     |
| Static Moment Ratings-Ma [N-m]                      | 12.9     |
| Static Moment Ratings-Mb [N-m]                      | 12.9     |
| Static Moment Ratings-Mc [N-m]                      | 21.5     |
| <b>Weight</b>                                       |          |
| Weight-Block [g]                                    | 34       |
| <b>Standard Miniature Rail Top Mount</b>            |          |
| <b>Details</b>                                      |          |
| Size [mm]   | 12       |
| <b>Dimensions</b>                                   |          |
| H [mm]  | 13       |
| W1 [mm]   | 12       |
| H1 [mm]   | 7.5      |
| P [mm]  | 25       |
| D [mm]  | 6        |
| d1 [mm]   | 3.5      |
| g1 [mm]   | 4.5      |
| <b>Weight</b>                                       |          |
| Weights-Rail [g/m]                                  | 602.0    |
| <b>Standard Miniature Rail Bottom Tapped Mount</b>  |          |
| <b>Details</b>                                      |          |
| Size [mm]   | 12       |
| <b>Dimensions</b>                                   |          |
| H1 [mm]   | 7.5      |
| W1 [mm]   | 12       |
| P [mm]  | 25       |
| M1  | M4 x 0.7 |
| <b>Weight</b>                                       |          |

