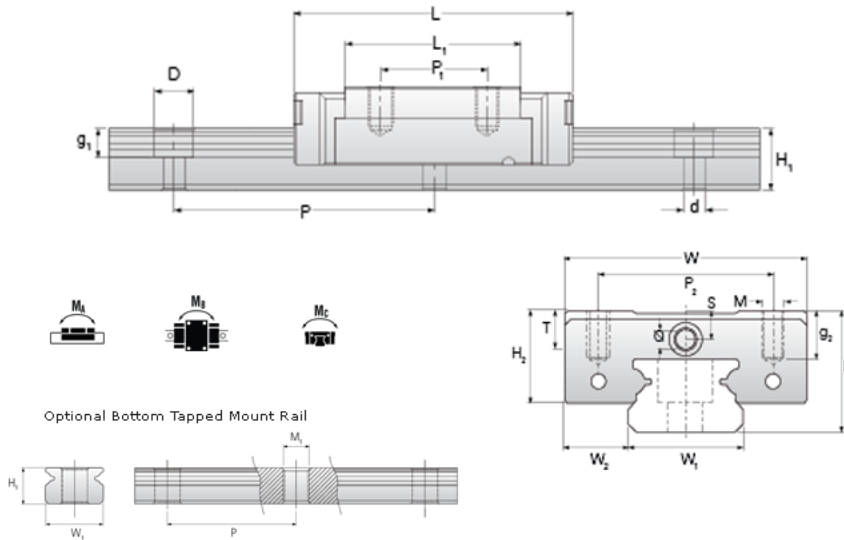
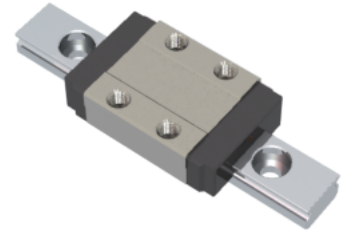


NMR 9MN SU Assembly

Call 800-321-7800 or visit us online at www.nookindustries.com to configure and order your NMR 9MN SU Assembly today!



Dimensions	
H [mm]	10
W ₂ [mm]	5.5
Standard Miniature Block Four Mounting Holes	
Details	
Size [mm]	9
Dimensions	
W [mm]	20
L [mm]	30.6
L ₁ [mm]	20.5
h ₂ [mm]	8
P ₁ [mm]	10
P ₂ [mm]	15
M × g ₂	M3 × 3.0
∅ [mm]	1.3
S [mm]	2.2
T [mm]	3.3
Forces and Torques	
Basic Load Ratings C [N]	1570
Basic Load Ratings C0 [N]	2495
Static Moment Ratings-M _a [N-m]	6.4
Static Moment Ratings-M _b [N-m]	6.4
Static Moment Ratings-M _c [N-m]	11.7
Weight	
Weight-Block [g]	18
Standard Miniature Rail Top Mount	
Details	
Size [mm]	9
Dimensions	
H [mm]	10
W ₁ [mm]	9
H ₁ [mm]	5.5
P [mm]	20
D [mm]	6
d ₁ [mm]	3.5
g ₁ [mm]	3.5
Weight	
Weights-Rail [g/m]	301.0
Standard Miniature Rail Bottom Tapped Mount	
Details	
Size [mm]	9
Dimensions	
H ₁ [mm]	5.5
W ₁ [mm]	9
P [mm]	20
M ₁	M4 × 0.7
Weight	

