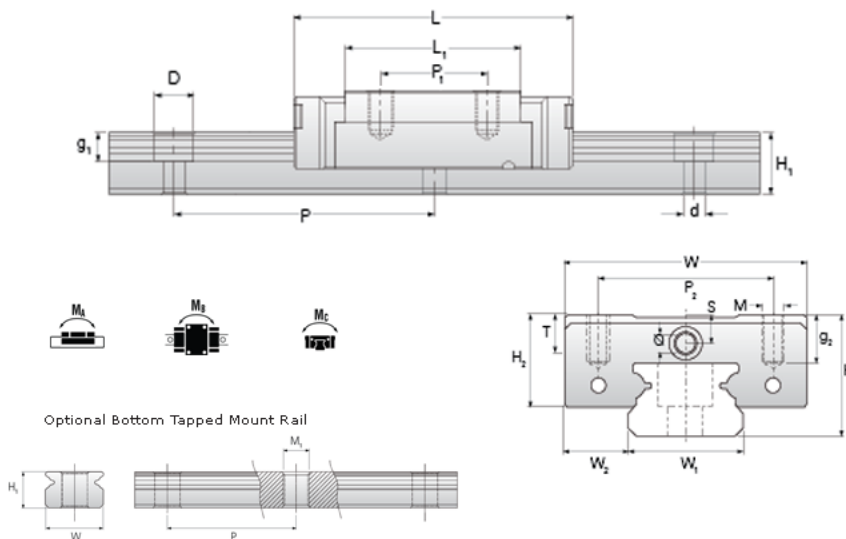
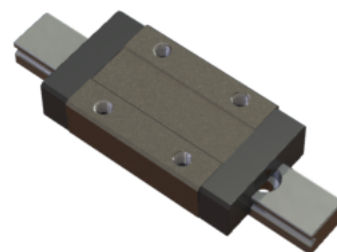


## NMR 7ML SU Assembly

Call 800-321-7800 or visit us online at [www.nookindustries.com](http://www.nookindustries.com) to configure and order your NMR 7ML SU Assembly today!



### Dimensions

H [mm]	8
W2 [mm]	5

### Standard Miniature Block Four Mounting Holes

#### Details

Size [mm]	7
-----------	---

#### Dimensions

W [mm]	17
L [mm]	31.2
L1 [mm]	21.8
h2 [mm]	6.7
P1 [mm]	13
P2 [mm]	12
M x g2	M2 x 2.5
Ø [mm]	1.1
S [mm]	1.6
T [mm]	2.8

#### Forces and Torques

Basic Load Ratings C [N]	1310
Basic Load Ratings C0 [N]	2440
Static Moment Ratings-Ma [N-m]	7.7
Static Moment Ratings-Mb [N-m]	7.7
Static Moment Ratings-Mc [N-m]	9.0

#### Weight

Weight-Block [g]	14
------------------	----

### Standard Miniature Rail Top Mount

#### Details

Size [mm]	7
-----------	---

#### Dimensions

H [mm]	8
W1 [mm]	7
H1 [mm]	4.7
P [mm]	15
D [mm]	4.2
d1 [mm]	2.4
g1 [mm]	2.3

#### Weight

Weights-Rail [g/m]	215.0
--------------------	-------

### Standard Miniature Rail Bottom Tapped Mount

#### Details

Size [mm]	7
-----------	---

#### Dimensions

H1 [mm]	4.7
W1 [mm]	7
P [mm]	15
M1	M3 x .05

#### Weight

