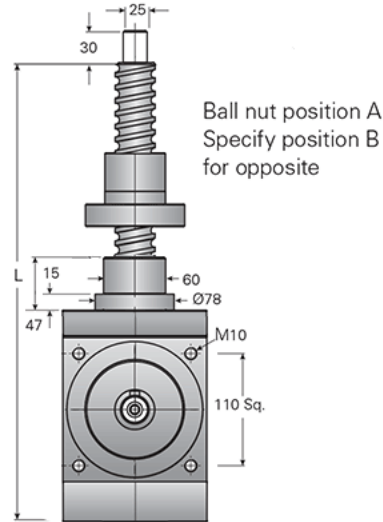
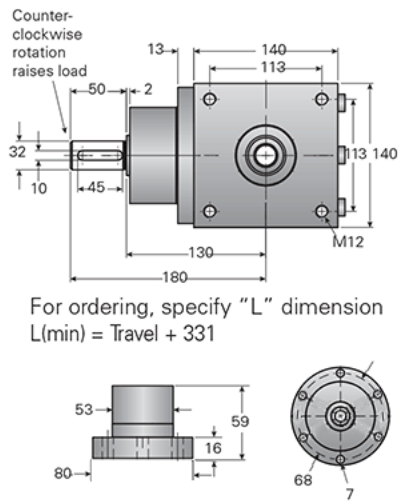


## G2HL-BSJ-UR 3:1

Call 800-321-7800 or visit us online at [www.nookindustries.com](http://www.nookindustries.com) to configure and order your G2HL-BSJ-UR 3:1 today!



### Details

Capacity [kN]	50
Gear Ratio	3:1
Raise for One Turn of Worm [mm]	3.33
Torque to Raise 1 kN [Nm]	0.71
Tare Drag Torque [Nm]	2.20
Lifting Screw Diameter [mm]	32
Screw Lead [mm]	10
BackDrive Holding Torque [Nm]	13.70

### Performance Specifications

Maximum Input Torque [Nm]	175
Dynamic Load $C_a$ [kN]	33.4

### Weight

Base 0 Travel [kg]	15.90
Per 100mm of Travel [kg]	0.81
Grease [kg]	0.45