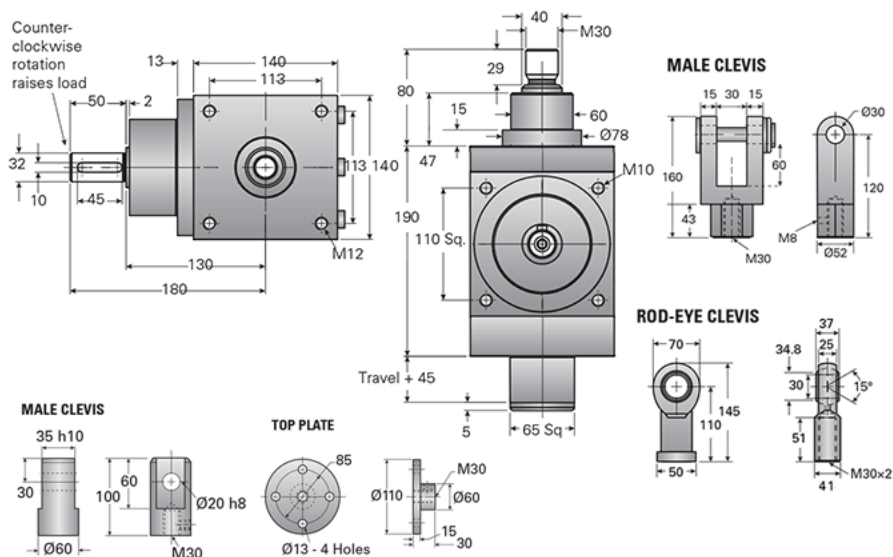


## G2HL-BSJ-UK 2:1

Call 800-321-7800 or visit us online at [www.nookindustries.com](http://www.nookindustries.com) to configure and order your G2HL-BSJ-UK 2:1 today!



### Details

Capacity [kN]	50
Gear Ratio	2:1
Raise for One Turn of Worm [mm]	5.00
Torque to Raise 1 kN [Nm]	1.06
Tare Drag Torque [Nm]	2.30
Lifting Screw Diameter [mm]	32
Screw Lead [mm]	10
BackDrive Holding Torque [Nm]	21.57

### Performance Specifications

Maximum Input Torque [Nm]	175
Dynamic Load Ca [kN]	33.4

### Weight

Base 0 Travel [kg]	15.90
Per 100mm of Travel [kg]	0.81
Grease [kg]	0.45