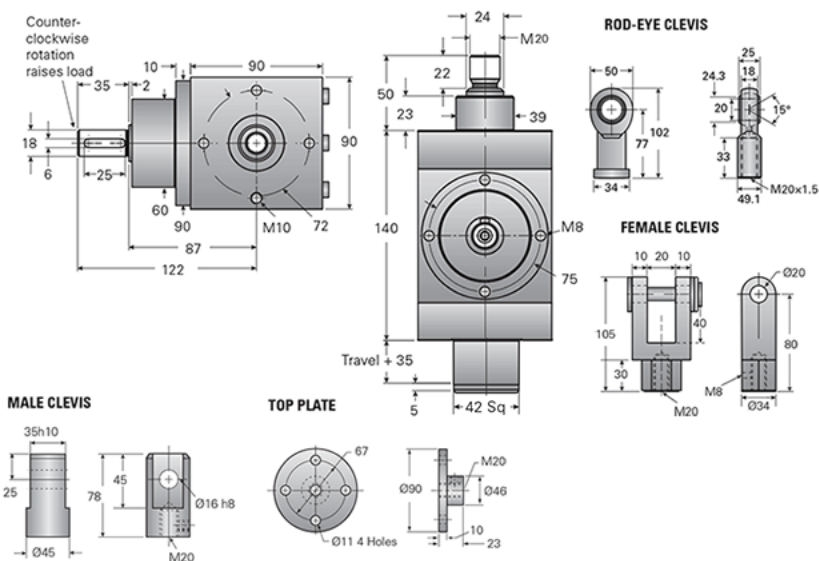


G1-BSJ-UK 2:1

Call 800-321-7800 or visit us online at www.nookindustries.com to configure and order your G1-BSJ-UK 2:1 today!



Details

| | |
|---------------------------------|------|
| Capacity [kN] | 15 |
| Gear Ratio | 2:1 |
| Raise for One Turn of Worm [mm] | 2.50 |
| Torque to Raise 1 kN [Nm] | 0.53 |
| Tare Drag Torque [Nm] | 1.80 |
| Lifting Screw Diameter [mm] | 25 |
| Screw Lead [mm] | 5 |
| BackDrive Holding Torque [Nm] | 2.68 |

Performance Specifications

| | |
|---------------------------|-----|
| Maximum Input Torque [Nm] | 50 |
| Dynamic Load Ca [kN] | 2.3 |

Weight

| | |
|--------------------------|------|
| Base 0 Travel [kg] | 7.70 |
| Per 100mm of Travel [kg] | 0.32 |
| Grease [kg] | 0.22 |