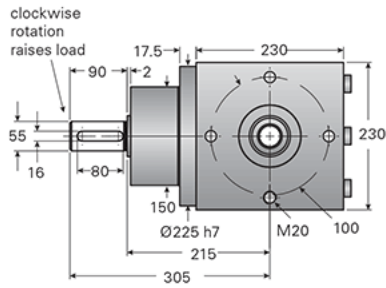
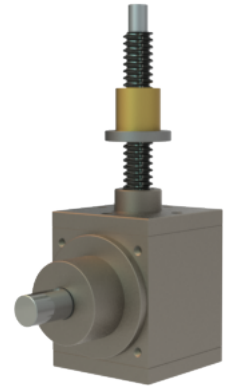
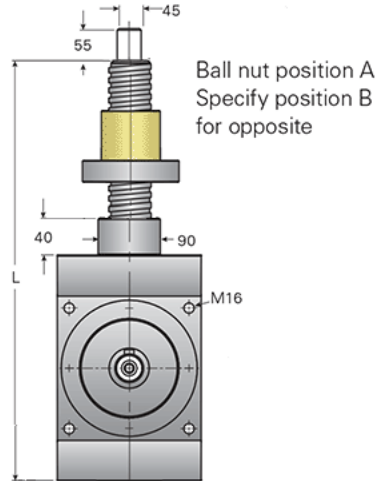
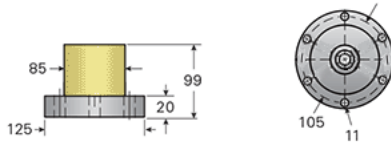


## G3-MSJ-UR 2:1

Call 800-321-7800 or visit us online at [www.nookindustries.com](http://www.nookindustries.com) to configure and order your G3-MSJ-UR 2:1 today!



For ordering, specify "L" dimension  
 $L(\text{min}) = \text{Travel} + 514$



### Details

|                                 |       |
|---------------------------------|-------|
| Capacity [kN]                   | 117   |
| Gear Ratio                      | 2:1   |
| Raise for One Turn of Worm [mm] | 4.50  |
| Torque to Raise 1 kN [Nm]       | 2.05  |
| Tare Drag Torque [Nm]           | 4.40  |
| Lifting Screw Diameter [mm]     | 60    |
| Screw Lead [mm]                 | 9     |
| BackDrive Holding Torque [Nm]   | 13.65 |

### Performance Specifications

|                           |      |
|---------------------------|------|
| Maximum Input Torque [Nm] | 1600 |
|---------------------------|------|

### Weight

|                          |       |
|--------------------------|-------|
| Base 0 Travel [kg]       | 36.30 |
| Per 100mm of Travel [kg] | 2.12  |
| Grease [kg]              | 1.00  |