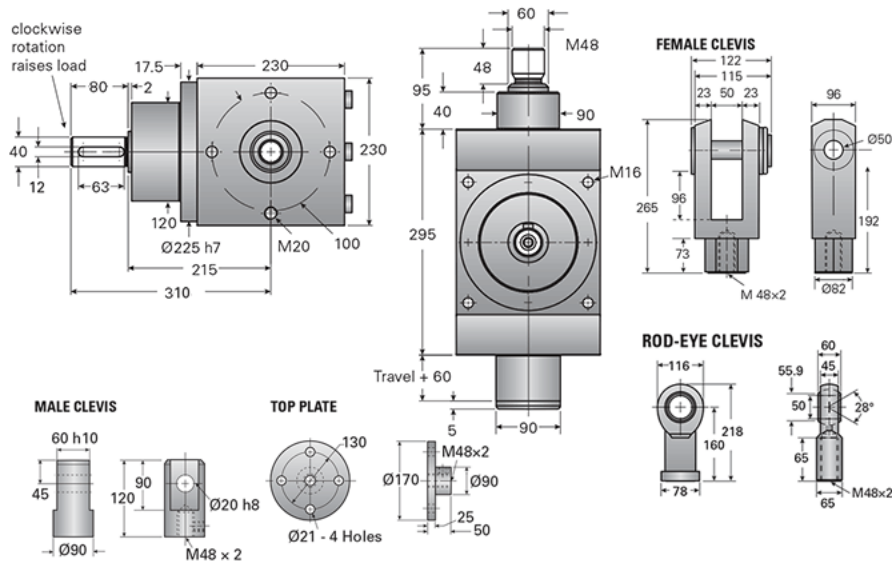


## G3-MSJ-U 3:1

Call 800-321-7800 or visit us online at [www.nookindustries.com](http://www.nookindustries.com) to configure and order your G3-MSJ-U 3:1 today!



### Details

Capacity [kN]	117
Gear Ratio	3:1
Raise for One Turn of Worm [mm]	3.00
Torque to Raise 1 kN [Nm]	1.36
Tare Drag Torque [Nm]	4.30
Lifting Screw Diameter [mm]	60
Screw Lead [mm]	9
BackDrive Holding Torque [Nm]	7.73

### Performance Specifications

Maximum Input Torque [Nm]	1600
---------------------------	------

### Weight

Base 0 Travel [kg]	36.30
Per 100mm of Travel [kg]	2.12
Grease [kg]	1.00