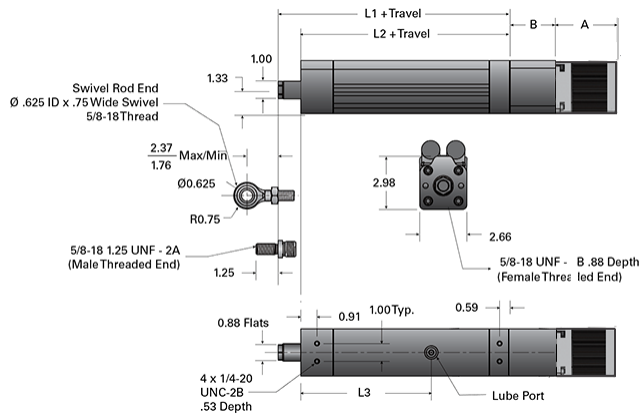


PA05-I 0631-1000 SRT RA T

Call 800-321-7800 or visit us online at www.nookindustries.com to configure and order your PA05-I 0631-1000 SRT RA T today!



Details

Screw	0631-1000 SRT RA
Ball Circle Diameter [in]	0.631
Screw Lead [in]	1.000

Performance Specifications

Lead Accuracy +/- [in/in]	0.004
Efficiency [%]	>90
Ball Nut Max Velocity [in/min]	3000
Max Capacity [lb]	620
Dynamic Load [lb] (Ball screw L10 life based on 1 mil. Inches of travel)	620

Dimensions

L1 + Travel [in]	9.05
L2 + Travel [in]	7.78
A (w/out Reducer, No Brake) [in]	T23 3.03 / T34 4.96
A (w/out Reducer, Brake) [in]	T23B 4.32 / T34B 6.44
A (w/Reducer, No Brake) [in]	T23 5.49 / T34 8.29
A (w/Reducer, Brake) [in]	T23B 6.78 / T34B 9.77
B (w/out Reducer) [in]	T23 2.36/ T34 2.86
B (w/Reducer) [in]	T23 2.61 / T34 3.42