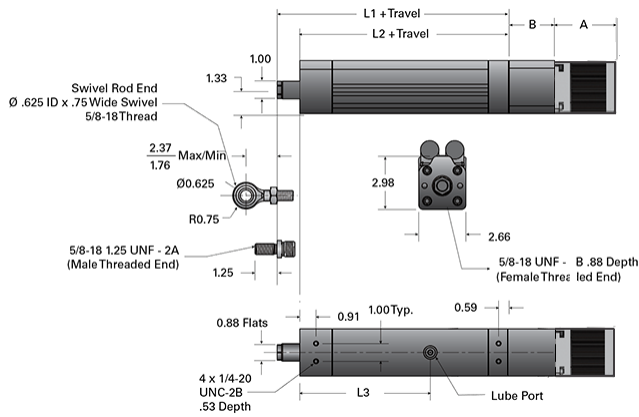


## PA05-I 076-RA T

Call 800-321-7800 or visit us online at [www.nookindustries.com](http://www.nookindustries.com) to configure and order your PA05-I 076-RA T today!



### Details

Screw	3/4-6 RA
Screw Lead [in]	0.166

### Performance Specifications

Lead Accuracy +/- [in/in]	0.0036
Efficiency [%]	36
Max Capacity [lb]	1000

### Dimensions

L1 + Travel [in]	9.05
L2 + Travel [in]	7.78
A (w/out Reducer, No Brake) [in]	T23 3.03 / T34 4.96
A (w/out Reducer, Brake) [in]	T23B 4.32 / T34B 6.44
A (w/Reducer, No Brake) [in]	T23 5.49 / T34 8.29
A (w/Reducer, Brake) [in]	T23B 6.78 / T34B 9.77
B (w/out Reducer) [in]	T23 2.36/ T34 2.86
B (w/Reducer) [in]	T23 2.61 / T34 3.42