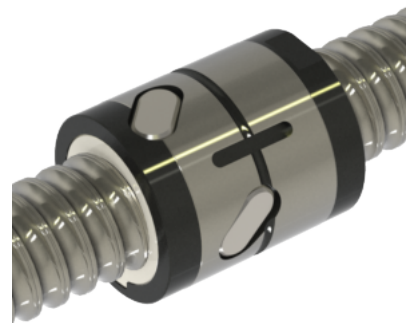
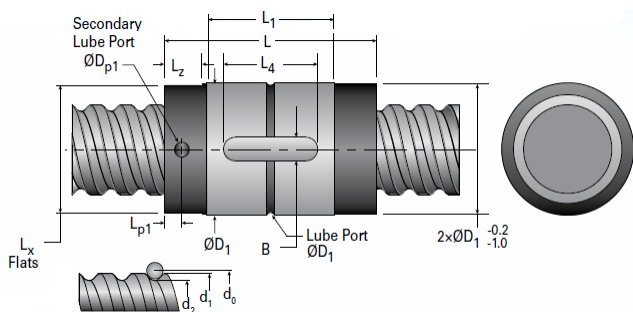


MBN40x10R-4CW

Call 800-321-7800 or visit us online at www.nookindustries.com to configure and order your MBN40x10R-4CW today!



Product Info

Nominal Rod Diameter [mm]	40
Material	Alloy
Thread Direction	RH

Details

Lead [mm]	10
Active Turns	4
Nominal Ball Dia. [mm]	7.144
Screw Weight [kg/m]	8.65
Nut Weight [kg]	0.89
End Code for Types 1,2, and 3	30
End Code for Types 4	19
End Code for Types 5	25
End Code for Types 6	30
End Code for Types 7	30

Performance Specifications

Dynamic Load Ca [N]	56770
Static Load [N]	116070
Linear Speed (Based on DN Values) [mm/min]	16700

Screw Dimensions

d0 [mm]	42.1
d1 [mm]	40.00
d2 [mm]	34.81

Nut Dimensions

D1 (g6) [mm]	63
L1 [mm]	51
Dp [mm]	3
Lp1 [mm]	-
Dp1 [mm]	-
L [mm]	75
Lx [mm]	60
Lz [mm]	10
L4 [mm]	30
B (P9) [mm]	5