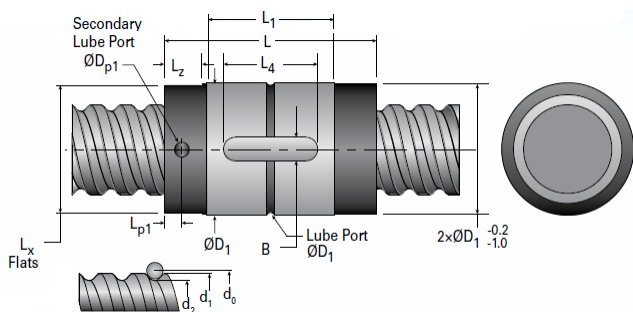


MBN40x5R-5CW

Call 800-321-7800 or visit us online at www.nookindustries.com to configure and order your MBN40x5R-5CW today!



Product Info

Nominal Rod Diameter [mm]	40
Material	Alloy
Thread Direction	RH

Details

Lead [mm]	5
Active Turns	5
Nominal Ball Dia. [mm]	3.500
Screw Weight [kg/m]	8.82
Nut Weight [kg]	0.42
End Code for Types 1,2, and 3	30
End Code for Types 4	19
End Code for Types 5	25
End Code for Types 6	30
End Code for Types 7	30

Performance Specifications

Dynamic Load Ca [N]	25170
Static Load [N]	70660
Linear Speed (Based on DN Values) [mm/min]	8800

Screw Dimensions

d0 [mm]	40
d1 [mm]	39.26
d2 [mm]	36.38

Nut Dimensions

D1 (g6) [mm]	56
L1 [mm]	34
Dp [mm]	3
Lp1 [mm]	-
Dp1 [mm]	-
L [mm]	54
Lx [mm]	54
Lz [mm]	8
L4 [mm]	20
B (P9) [mm]	5