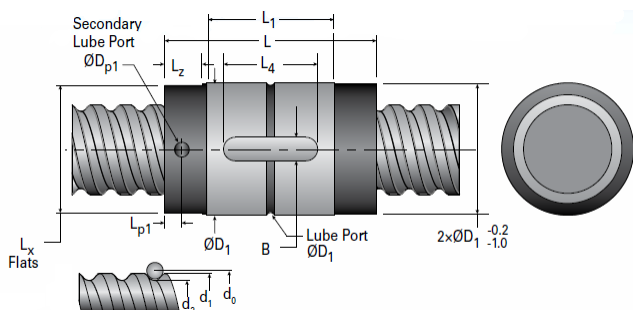


MBN32x10R-4CW

Call 800-321-7800 or visit us online at www.nookindustries.com to configure and order your MBN32x10R-4CW today!



Product Info

Nominal Rod Diameter [mm]	32
Material	Alloy
Thread Direction	RH

Details

Lead [mm]	10
Active Turns	4
Nominal Ball Dia. [mm]	6.350
Screw Weight [kg/m]	4.93
Nut Weight [kg]	0.52
End Code for Types 1,2, and 3	25
End Code for Types 4	12
End Code for Types 5	25
End Code for Types 6	25
End Code for Types 7	25

Performance Specifications

Dynamic Load Ca [N]	36230
Static Load [N]	63880
Linear Speed (Based on DN Values) [mm/min]	21900

Screw Dimensions

d0 [mm]	32
d1 [mm]	30.49
d2 [mm]	25.45

Nut Dimensions

D1 (g6) [mm]	50
L1 [mm]	53
Dp [mm]	1.5
Lp1 [mm]	9.5
Dp1 [mm]	4
L [mm]	77
Lx [mm]	46
Lz [mm]	10
L4 [mm]	20
B (P9) [mm]	5