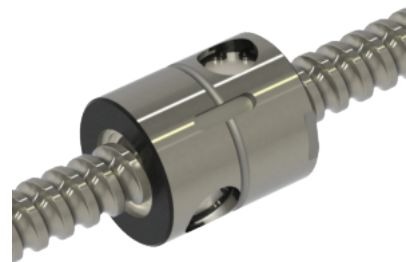
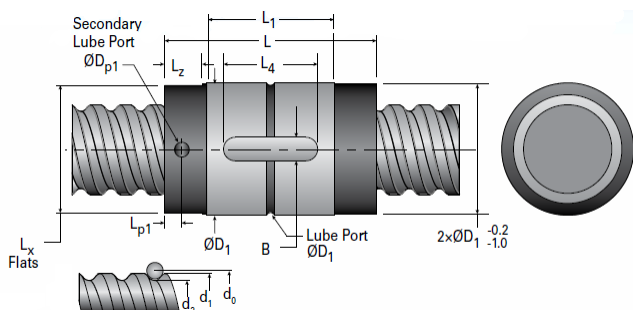


MBN12x5R-3CW

Call 800-321-7800 or visit us online at www.nookindustries.com to configure and order your MBN12x5R-3CW today!



Product Info

Nominal Rod Diameter [mm]	12
Material	Alloy
Thread Direction	RH

Details

Lead [mm]	5
Active Turns	3
Nominal Ball Dia. [mm]	3.175
Screw Weight [kg/m]	0.64
Nut Weight [kg]	0.09
End Code for Types 1,2, and 3	8
End Code for Types 4	4
End Code for Types 5	-
End Code for Types 6	8
End Code for Types 7	6

Performance Specifications

Dynamic Load Ca [N]	6850
Static Load [N]	8830
Linear Speed (Based on DN Values) [mm/min]	29200

Screw Dimensions

d0 [mm]	12
d1 [mm]	11.33
d2 [mm]	8.72

Nut Dimensions

D1 (g6) [mm]	26
L1 [mm]	30
Dp [mm]	1.5
Lp1 [mm]	4
Dp1 [mm]	2
L [mm]	30
Lx [mm]	24
Lz [mm]	2.5
L4 [mm]	12
B (P9) [mm]	3