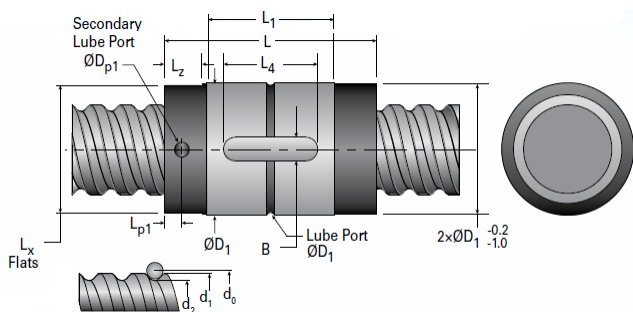


MBN12x2R-3CW

Call 800-321-7800 or visit us online at www.nookindustries.com to configure and order your MBN12x2R-3CW today!



Product Info

Nominal Rod Diameter [mm]	12
Material	Alloy
Thread Direction	RH

Details

Lead [mm]	2
Active Turns	3
Nominal Ball Dia. [mm]	1.588
Screw Weight [kg/m]	0.72
Nut Weight [kg]	0.04
End Code for Types 1,2, and 3	10
End Code for Types 4	6
End Code for Types 5	-
End Code for Types 6	10
End Code for Types 7	8

Performance Specifications

Dynamic Load Ca [N]	2820
Static Load [N]	4730
Linear Speed (Based on DN Values) [mm/min]	11700

Screw Dimensions

d0 [mm]	12
d1 [mm]	11.44
d2 [mm]	10.32

Nut Dimensions

D1 (g6) [mm]	20
L1 [mm]	28
Dp [mm]	-
Lp1 [mm]	4
Dp1 [mm]	2
L [mm]	28
Lx [mm]	19
Lz [mm]	2.5
L4 [mm]	10
B (P9) [mm]	3