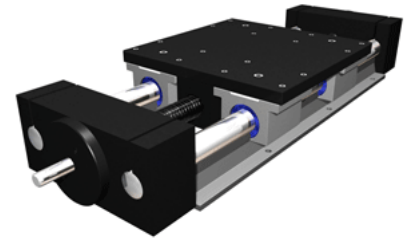
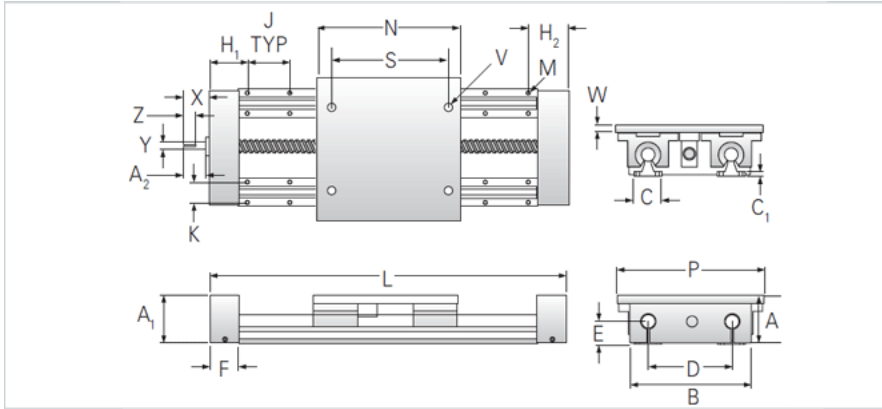


252-16-LXX/1000-1000 SRT RA

Call 800-321-7800 or visit us online at www.nookindustries.com to configure and order your 252-16-LXX/1000-1000 SRT RA today!



Product Info

| | |
|-----------------------------|---------------|
| Nominal Shaft Diameter [in] | 1.00 |
| Screw Type | Ball |
| Screw Size | 1000-1000 SRT |

Dimensions

| | |
|-----------------|-------------|
| A +/-0.003 [in] | 3.438 |
| A1 [in] | 3.25 |
| B [in] | 7.25 |
| C [in] | 2.13 |
| C1 [in] | 0.25 |
| D [in] | 5.50 |
| E [in] | 1.75 |
| F [in] | 2.2 |
| H [in] | 3.00 |
| J +/-0.010 [in] | 6.000 |
| K +/-0.010 [in] | 1.500 |
| M - Bolt | 1/4 |
| M - Hole [in] | 0.28 |
| N [in] | 9.00 |
| P [in] | 9.00 |
| S [in] | 7.00 |
| U [in] | 5.50 |
| V | 3/8-16 |
| W [in] | 0.50 |
| X [in] | 1.74 |
| Y [in] | 0.625 |
| Z | 1.03 x .188 |
| A2 [in] | 1.260 |

Dimensions

| | |
|-----------------------------------|------|
| Minimum L Dimension TRAVEL + [in] | 13.4 |
|-----------------------------------|------|

Performance specifications

| | |
|---------------------------|------|
| Load Maximum System [lbf] | 3320 |
|---------------------------|------|