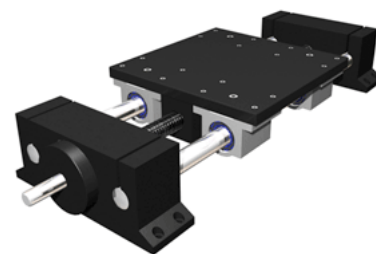
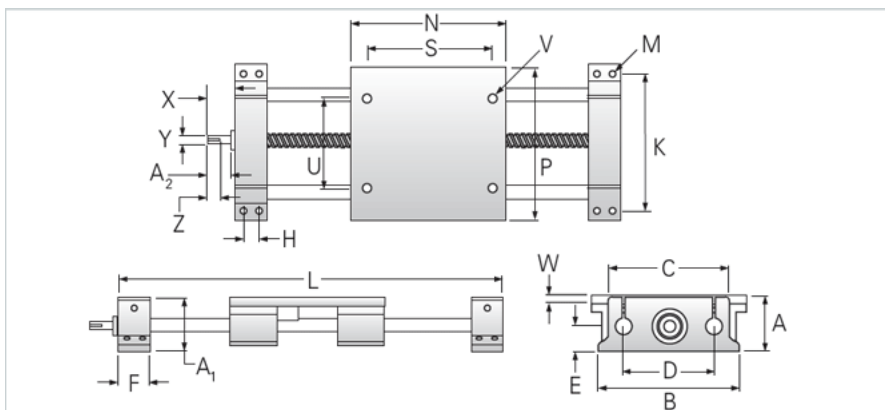


## 212-12-LXX/070 RA

Call 800-321-7800 or visit us online at [www.nookindustries.com](http://www.nookindustries.com) to configure and order your 212-12-LXX/070 RA today!



### Product Info

Nominal Shaft Diameter [in]	0.75
Screw Type	Acme
Screw Size	3/4-10

### Dimensions

A +/-0.003 [in]	2.937
A1 [in]	2.88
B [in]	7.20
C [in]	6.00
D [in]	4.50
E [in]	1.50
F [in]	2.00
H +/-0.010 [in]	1.000
K +/-0.010 [in]	6.700
M - Bolt	#10
M - Hole [in]	0.22
N [in]	7.50
P [in]	7.50
S [in]	6.00
U [in]	4.50
V	5/16-18
W [in]	0.50
X [in]	1.50
Y [in]	0.500
Z	.81 x .140
A2 [in]	1.020

### Dimensions

Minimum L Dimension TRAVEL + [in]	11.5
-----------------------------------	------

### Performance specifications

Load Maximum System [lbf]	1624
---------------------------	------